

# FRIGIDAIRE GALLERY

## FGMO226NU D/F

### MICROWAVE

24" BUILT-IN

Smudge-Proof™  
Stainless Steel



#### AVAILABLE COLORS



Black Stainless    Stainless

#### SIGNATURE FEATURES



#### Fits-More™ Microwave

Extra-large microwave provides 2.2 cu. ft. of cooking space.



#### Sensor Cooking Options

Microwave automatically adjusts power levels and cooking times to cook a variety of items, effortlessly.



#### Over 30 Setting Options

Offers multiple settings to meet your cooking needs, including chicken nuggets and snacks.



#### One-Touch Options

Our microwaves feature easy-to-use one-touch buttons so you can cook baked potatoes, popcorn or even add 30 seconds with the touch of a button.

#### PRODUCT DIMENSIONS

Height	13-5/8"
Width	24-7/16"
Depth	19-5/8"

#### MORE EASY-TO-USE FEATURES

##### Smudge-Proof™ Black Stainless Steel

Practical has never looked so stylish with Smudge-Proof™ Black Stainless Steel, a beautiful finish with an easy-to-clean fingerprint-resistant surface.

##### Effortless™ Reheat

Reheat almost anything at the touch of a button.

##### Built-In Trim Kit

Optional trim kit available in stainless and black stainless steel trim in 27" or 30" diameter.

# FGMO226NU D/F MICROWAVE

24" BUILT-IN

FRIGIDAIRE  
GALLERY.

## FEATURES

Control/Timing System	Ready-Select*
Exterior Door Finish	Smudge-Proof™ Stainless
Handle Design	Push Button
Microwave Capacity (Cu. Ft.)	2.2
Watts (IEC-705 Test Procedure)	1,200
Interior Light	Yes
Interior Color	White
Turntable Diameter	16-1/2"
Control Lock	Yes
Clock	Yes
Touch Pad Buttons	25
Power Levels	High (1-9)

## MICROWAVE CONTROL OPTIONS

Popcorn Button	Yes
Baked Potato Button	Yes
Snack Button	Yes
Melt & Soften Options	2/2
Auto Reheat Options	4
Snack Menu Options	4
Auto Cook Options	4
Auto Defrost Options	3
Add-30-Seconds	Yes
Sensor Cooking Options	4
Vegetable Cook Sensor	Yes
User Preferences	Yes

## POWER RATINGS

Frequency (MHz)	2,450
Watts @ 120 Volts	1,200
Amps @ 120 Volts	14.2

## OPTIONAL ACCESSORIES

30" Black Stainless Steel Trim Kit	PN# MWTK30FGUD
27" Black Stainless Steel Trim Kit	PN# MWTK27FGUD
30" Stainless Steel Trim Kit	PN# MWTK30FGUF
27" Stainless Steel Trim Kit	PN# MWTK27FGUF

## SPECIFICATIONS

Oven Interior (HxWxD)	11-1/4" x 17-7/8" x 19-1/8"
Power Supply Connection Location	Right Rear Top
Voltage Rating	120V/60Hz/15A
Connected Load (kW Rating) @ 120 Volts <sup>1</sup>	1.7
Minimum Circuit Required (Amps)	15
Plug Type (NEMA)	LCDI (5-15P)
Shipping Weight (Approx.)	49 Lbs.

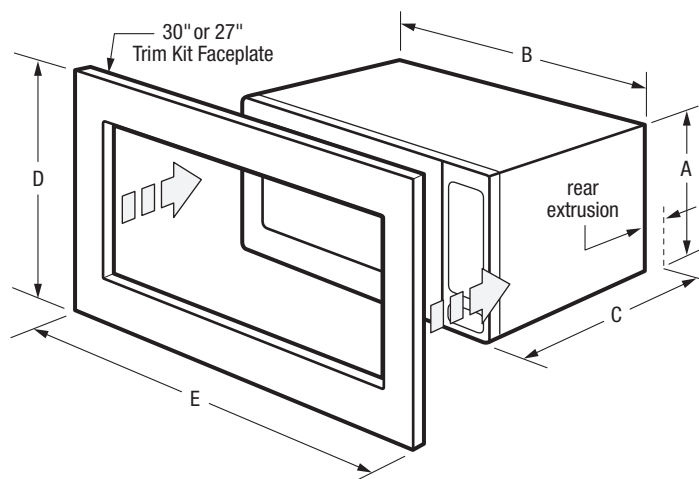
<sup>1</sup>For use on adequately wired 120V, dedicated circuit having 2-wire service with a separate ground wire. Appliance must be grounded for safe operation.

## PRODUCT DIMENSIONS

A - Height	13-5/8"
B - Width	24-7/16"
C - Depth	19-5/8"
Depth with Door Open 90°	39"

## CUTOUT DIMENSIONS

Height (Min.)	16-3/4"
Height (Max.)	17"
Width (Min.)	24-3/4"
Width (Max.)	25"
Depth (Min.)	20"



**Note:** For planning purposes only. Always consult local and national electric, gas and plumbing codes. Refer to Product Installation Guide for detailed installation instructions on the web at [frigidaire.com](http://frigidaire.com).

Specifications subject to change. Accessories information available on the web at [frigidaire.com](http://frigidaire.com)

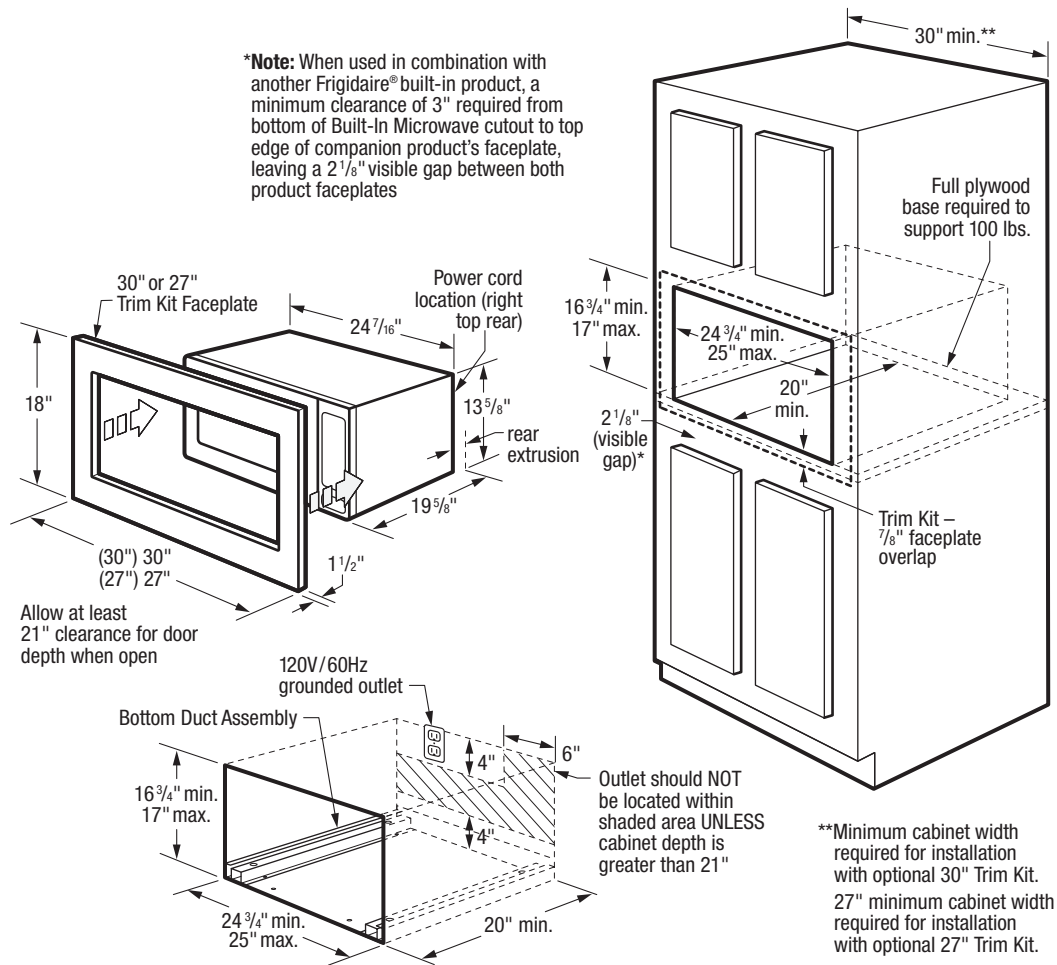
FRIGIDAIRE

USA • 10200 David Taylor Drive • Charlotte, NC 28262 • 1-800-FRIGIDAIRE • [frigidaire.com](http://frigidaire.com)  
CANADA • 5855 Terry Fox Way • Mississauga, ON L5V 3E4 • 1-800-265-8352 • [frigidaire.ca](http://frigidaire.ca)



FGMO226NU 08/18

© 2018 Electrolux Home Products, Inc.



## INSTALLATION SPECIFICATIONS

- Product Shipping Weight (Approx.) - 49 Lbs. (not incl. Trim Kit)
- Voltage Rating - 120V/60 Hz/15 Amps
- Connected Load (kW Rating) @ 120 Volts = 1.7 kW  
(For use on adequately wired 120V, dedicated circuit having 2-wire service with a separate ground wire. Appliance must be grounded for safe operation.)
- Amps @ 120 Volts = 14.2 Amps
- Always consult local and national electric codes.
- Microwave can stand alone on countertop or be built in with optional 30" or 27" Trim Kit (ordered by individual part number) which includes Bottom Duct Assembly - shipped in separate box.
- Allow 21" minimum clearance for 90° door swing.
- Minimum 20" deep oven cutout dimension is critical for proper installation for oven and faceplate to fit flush against cabinet front.
- Consult local building code, in the event that cutout opening may be required to be enclosed with sides, ceiling and rear partition.
- Full oven base of solid plywood or similar material required, capable of supporting 100 Lbs.

- Base must be level and front of cabinet square for proper operation.
- Grounded outlet should NOT be located in shaded area, as indicated, UNLESS cabinet depth is greater than 21".
- Can NOT be installed above any gas wall oven.
- Built-In Microwave is approved to be used in combination with any Frigidaire® Electric Single Wall Oven and/or Warmer Drawer. (Refer to model-specific Combination Installation Specification pages on web.)
- When used in combination with another Frigidaire® built-in product, a minimum clearance of 3" required from bottom of Built-In Microwave cutout to top edge of companion product's faceplate, leaving a 2-1/8" visible gap between both product faceplates.

### OPTIONAL ACCESSORIES

- 30" Black Stainless Steel Trim Kit - (PN# MWTK30FGUD).
- 27" Black Stainless Steel Trim Kit - (PN# MWTK27FGUD).
- 30" Stainless Steel Trim Kit - (PN# MWTK30FGUF).
- 27" Stainless Steel Trim Kit - (PN# MWTK27FGUF).

