



OLED48A2*
OLED55A2*
OLED65A2*

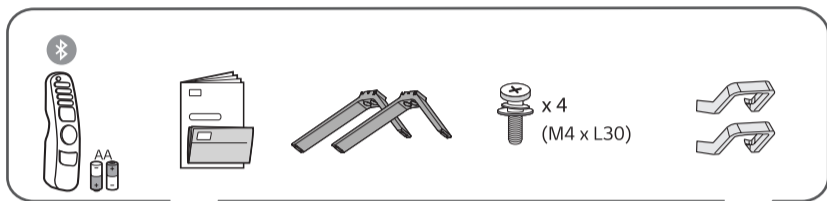
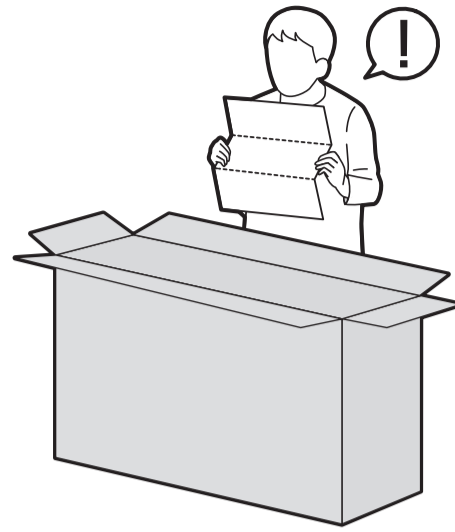
Quick Start Guide



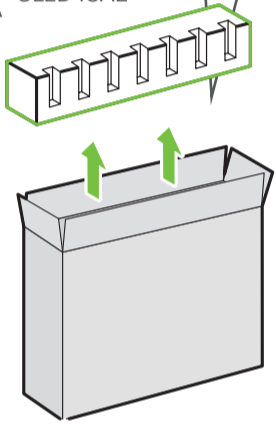
Images shown in manual may vary depending on model

Unpacking

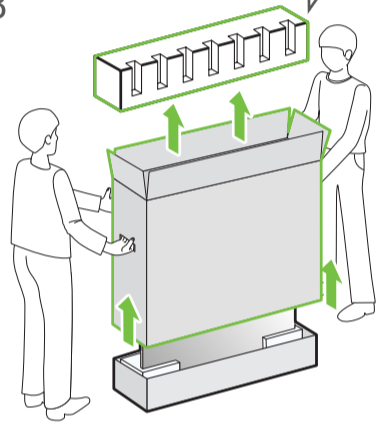
Check your product box for the following items. If there are any missing accessories, contact the local dealer where you purchased your product. The illustrations in this manual may differ from the actual product and item.



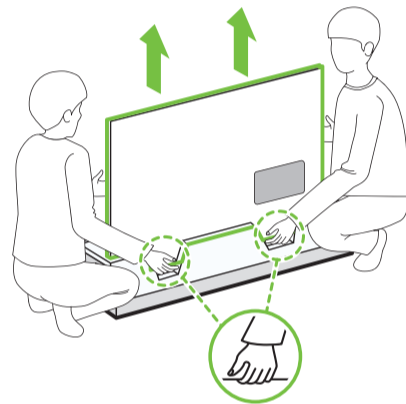
1-A OLED48A2*



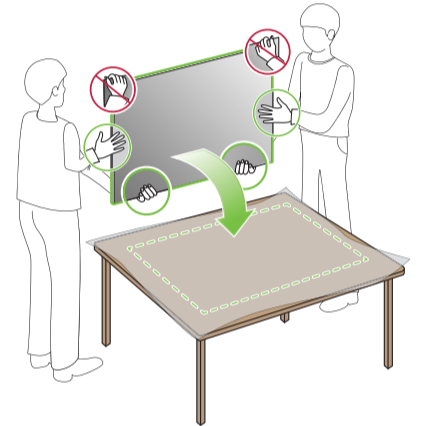
1-B OLED55/65A2*



2



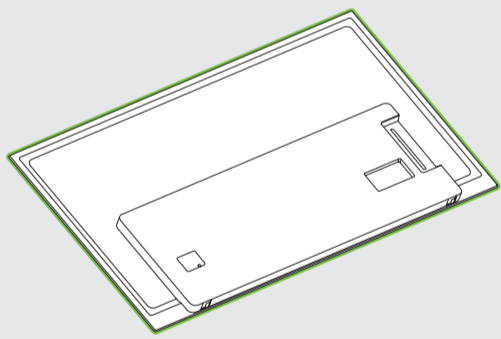
3



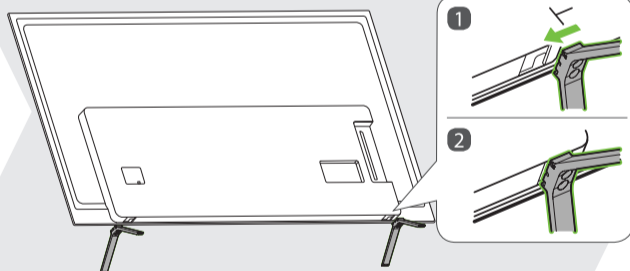
CAUTION

Image shown may differ from your TV
When attaching the stand to the TV set, place the screen facing down on a cushioned table or flat surface to protect the screen from scratches.

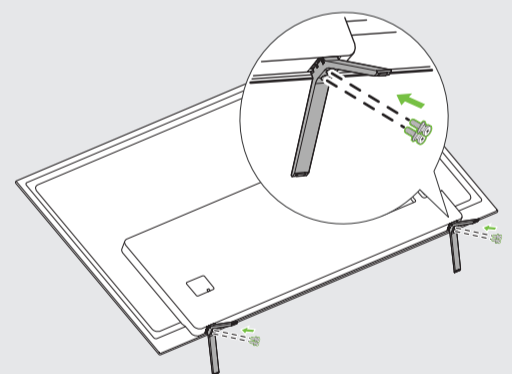
1



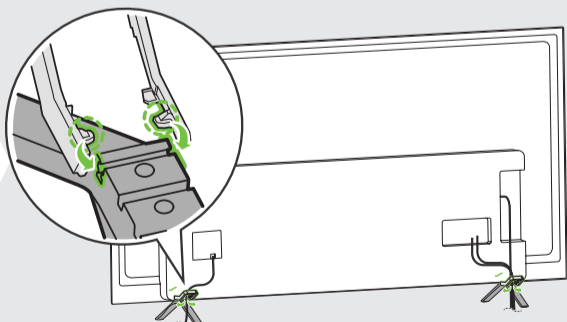
2



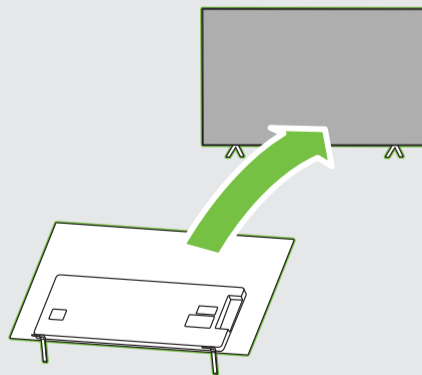
3



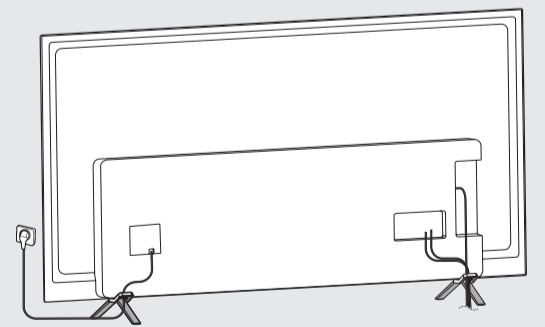
4

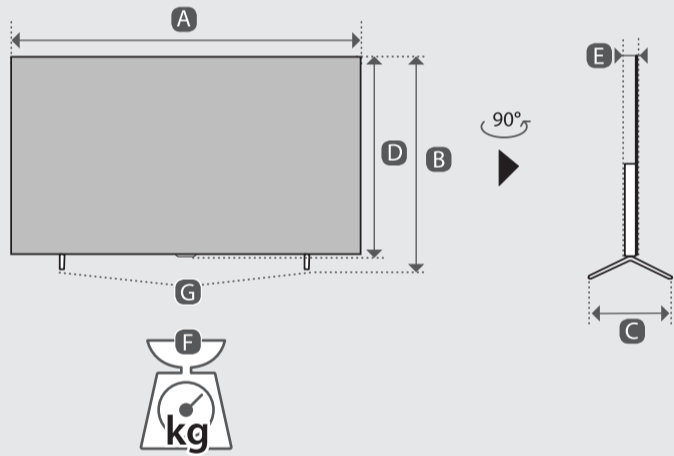
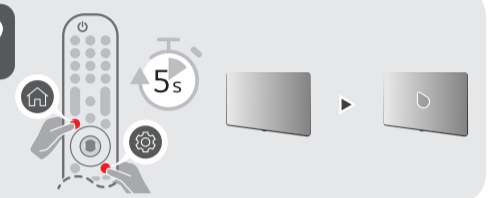
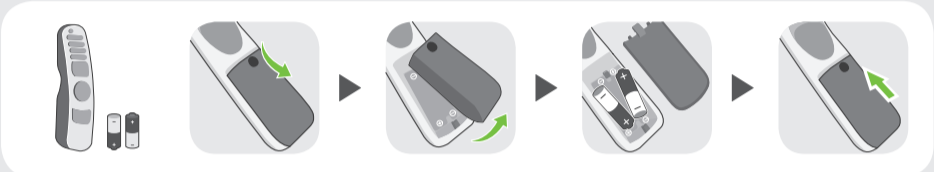
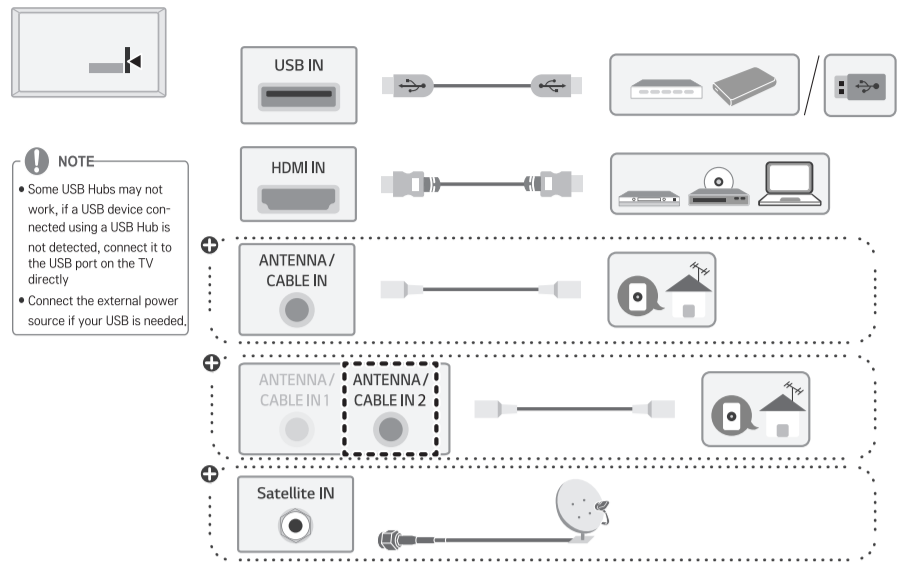
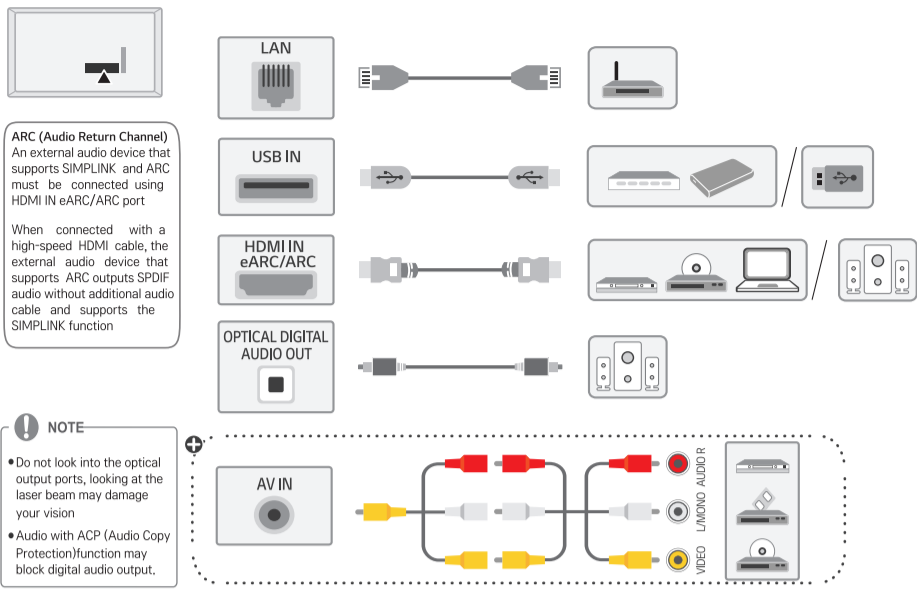


5

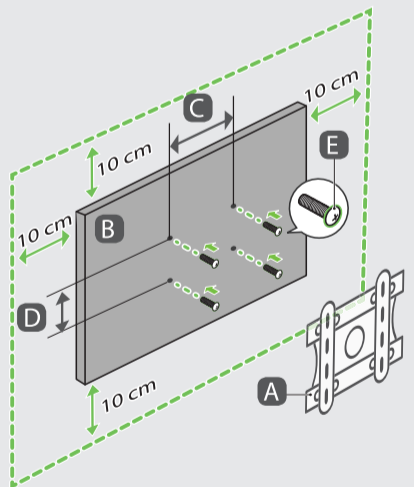


6





	A	B	C	D	E	F	F-G
	(mm)					(kg)	
OLED48A26LA OLED48A2PSA	1070	684	235	620	45.9	11.7	11.5
OLED55A26LA OLED55A2PSA	1228	772	235	708	45.9	14.5	14.3
OLED65A26LA OLED65A2PSA	1449	896	235	832	45.9	17.3	17.1
Power requirement						AC 100-240 V ~ 50 / 60 Hz	



A	B	C x D (mm)	E
Wallmount	OLED48,55,65A2*	300 x 200	M6



- Read **Safety and Reference**.
- The Analog Gender adapter can be purchased separately at Customer Service.

⊕ : Depending on model