



# Under-Cabinet Hood

PL30WC41E C

30" Wall Mount



## Signature Features

### 400 CFM External Exhaust

3-Speed fan with Auto-Start Heat Sensor effectively and quietly removes smoke, vapors and smells from the kitchen.

### Dishwasher-Safe Filters

Filters remove even the most persistent cooking odors and clean up easily by cycling through your dishwasher.

### Dual Halogen Lights

Provides ample illumination of the cooking surface.

### Convertible Exhaust Duct Options<sup>1</sup>

Ventilation is convertible to be either ducted outside, or recirculated inside requiring no ducting.

### Features

Nominal Width	30"
Installation Type	Wall Mount
Style	Under-Cabinet
Controls	Electronic Push Button
Auto-Start Heat Sensor	Yes
Air Discharge	Vertical or Horizontal
Air Delivery (CFM)	400
Blower Type	Centrifugal
Fan Speeds	3
Cooktop Light(s)	2 Halogen
Dishwasher-Safe Filter(s)	Yes
Exhaust Duct	Convertible <sup>2</sup>
Duct Required	7" Round or 3-1/4" x 10"

### Optional Accessories

Duct-Free Kit (Single-Pack)	PN# 5304455849
Duct-Free Kit (8-Pack)	PN# DFKIT308PK
Damper Kit (6-Pack)	PN# DAMPKIT6PK
7" Round Damper Kit (Single-Pack)	PN# 5304455851

### Specifications

Product Dimensions -	
Height	7-1/4"
Width	30"
Depth	20"
Voltage Rating	120V / 60Hz / 15A
Connected Load (kW Rating) @ 120 Volts <sup>2</sup>	TBD
Amps @ 120 Volts	3.0
Shipping Weight (Approx.)	29 Lbs.
Sones Rating	4.5

<sup>1</sup>Recirculated option requires use of optional Duct-Free Kit.

<sup>2</sup>Ventilation system is preset to recirculate air inside with no ducting. Converting to exterior exhaust is optional.

<sup>3</sup>For use on adequately wired 120V, dedicated circuit having 2-wire service with a separate ground wire. Appliance must be grounded for safe operation.

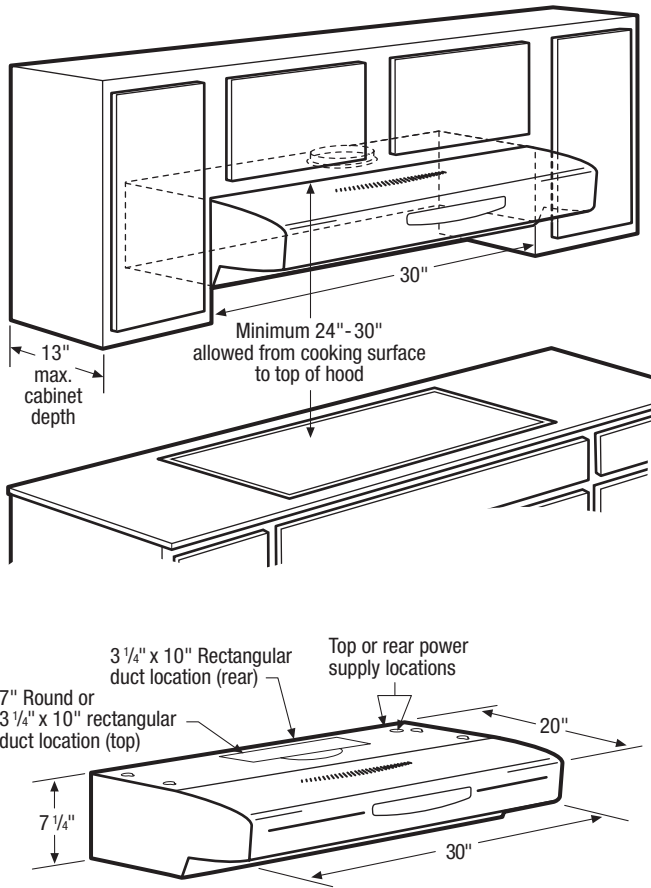
NOTE: Always consult local and national electric codes. Check local building codes for installation requirements, as they may vary per locale. Refer to Product Installation Guide for detailed installation instructions on the web at [frigidaire.com](http://frigidaire.com).

Specifications subject to change.

### Available in:



Stainless  
(C)

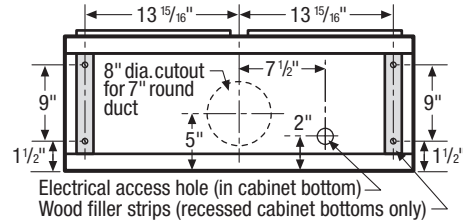


**Exhaust Options**

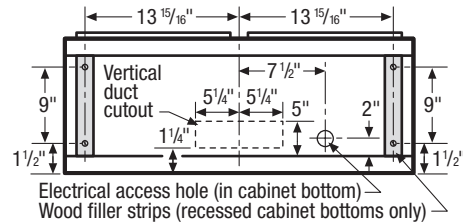
Vent hood can be vertically or horizontally ducted outside using round or rectangular duct; or recirculated inside with no ducting required.

For detailed duct preparation and installation specifications, refer to installation instructions on web.

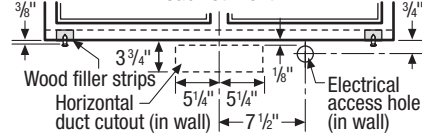
**Outside Vertical – 7" Round Duct Cabinet Bottom**



**Outside Vertical – 3 1/4" x 10" Rectangular Duct Cabinet Bottom**



**Outside Horizontal – 3 1/4" x 10" Rectangular Duct Cabinet Front**



**Under-Cabinet Hood Specifications**

- Product Shipping Weight (Approx.) - 29 Lbs.
- Wall-Mount Installation - can be ducted vertically or horizontally.
- Ventilation system is preset to recirculate air inside with no ducting system required. Exhausting air outside is optional, using either vertical or horizontal ducting system. (Refer to Ducted Option Specifications for outside ventilation.)
- Sones Rating - 4.5
- Voltage Rating - 120V / 60 Hz / 15 Amps
- Connected Load (kW Rating) @ 120 Volts = TBD (For use on adequately wired 120V, dedicated circuit having 2-wire service with a separate ground wire. Appliance must be grounded for safe operation.)
- Amps @ 120 Volts = 3.0 Amps
- Always consult local and national electric codes. Check local building codes for installation requirements, as they may vary per locale.
- Connect vent hood with copper wire only.
- Minimum installation height allowed from top of hood to cooking surface is 24" - 30".
- To improve performance, optional Duct-Free Kit recommended for use with recirculating system.
- Installation on recessed-bottom cabinets requires attachment of two wood filler strips at each side of recessed area under cabinet.

**Ducted Option Specifications**

- For outside ventilation.
- Exhaust Duct Required - 7" round or 3-1/4" x 10" (3-1/4"x10" to 6"-round transition duct can be used if needed)
- For most efficient airflow exhaust, use a straight run or as few elbows as possible.
- Use metallic flex ducting only to connect rigid duct directly to transitions (if allowed by code).
- Thermal breaks such as short section of nonmetallic duct, should be used in areas of extreme cold.
- Cold weather installations should have additional backdraft damper installed.
- Refer to installation instructions on web for detailed duct preparation and converting exhaust vent blower system for exterior exhaust ventilation.

**Note:** For planning purposes only. Refer to Product Installation Guide on the web at [frigidaire.com](http://frigidaire.com) for detailed instructions.

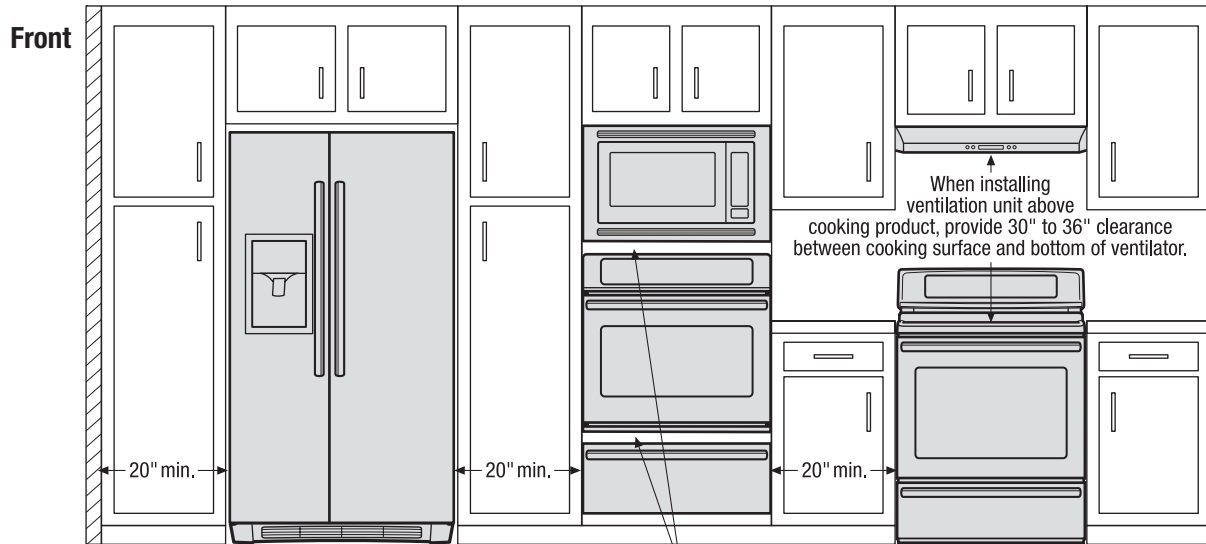
**Optional Accessories**

- Duct-Free Kit (Single-Pack) - (PN# 5304455849).
- Duct-Free Kit (8-Pack) - (PN# DFKIT308PK).
- Damper Kit (6-Pack) - (PN# DAMPKIT6PK).
- 7"- Round Damper Kit (Single-Pack) - (PN# 5304455851).

Accessories information available on the web at [frigidaire.com](http://frigidaire.com)

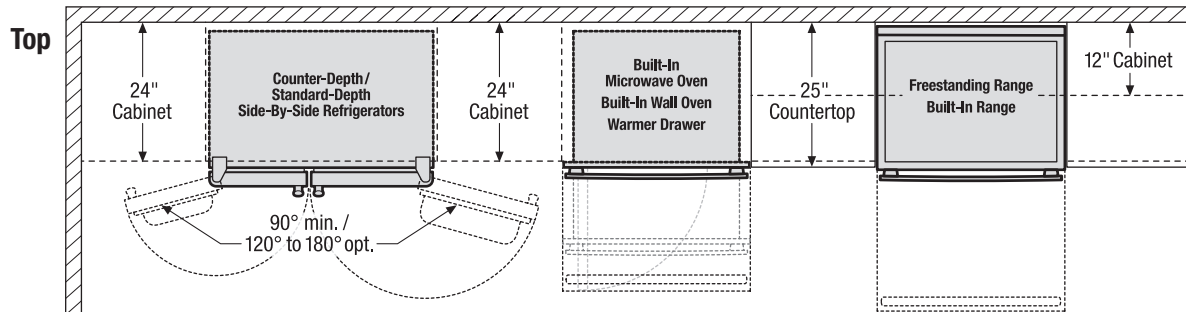


Use these dimensions and clearance instructions for planning purposes only. For detailed installation instructions, refer to installation guide, packed with product, or on the web at [frigidaire.com](http://frigidaire.com).



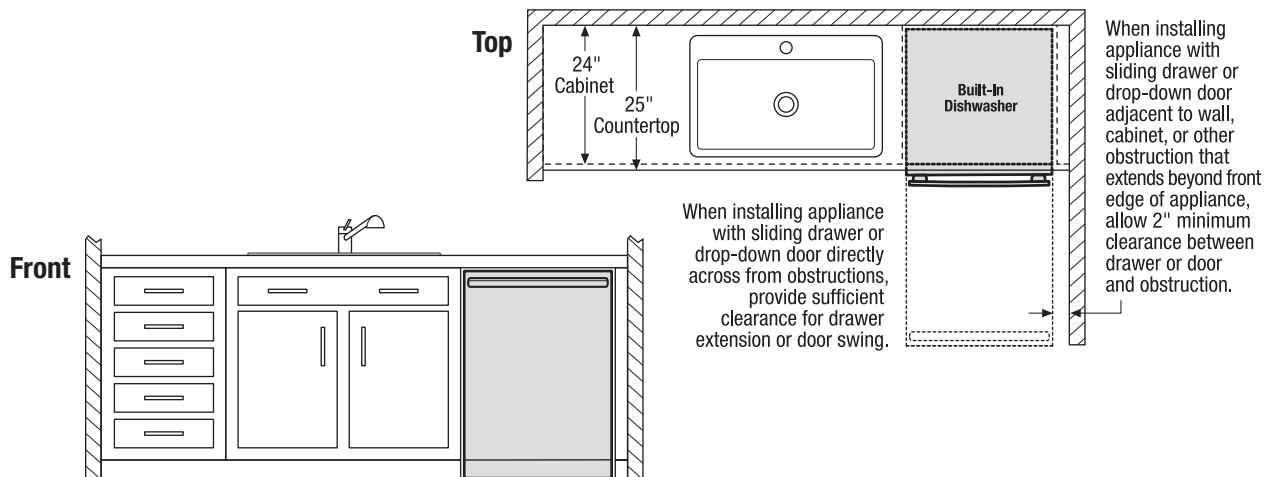
When installing appliances adjacent to each other, 20" minimum distance between each appliance required.

When installing built-in cooking appliances in combination, 2" minimum visible gap between appliance faceplates required.



When installing side-by-side refrigerator adjacent to wall, cabinet or another appliance that extends beyond front edge of unit, 20" minimum clearance recommended to allow for optimum 120° to 180° door swing, providing complete drawer/crisper access and removal.

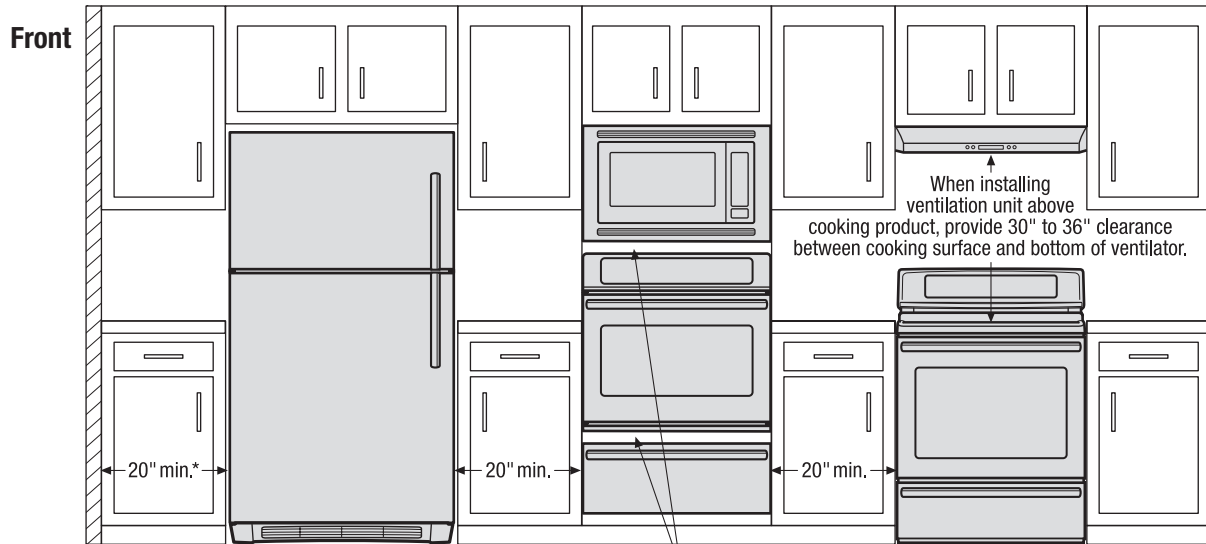
When installing appliance with sliding drawer, swinging or drop-down door directly across from obstructions, provide sufficient clearance for drawer extension or door swings.



When installing appliance with sliding drawer or drop-down door directly across from obstructions, provide sufficient clearance for drawer extension or door swing.

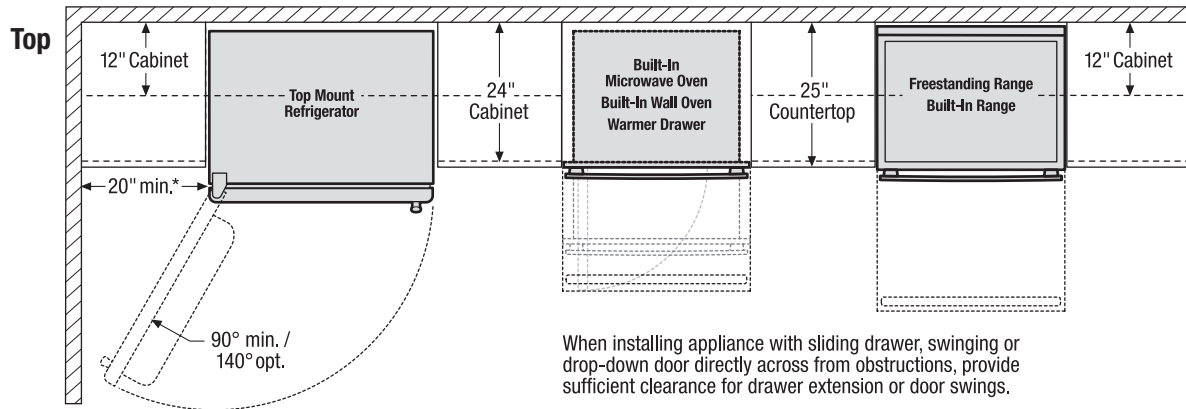
When installing appliance with sliding drawer or drop-down door adjacent to wall, cabinet, or other obstruction that extends beyond front edge of appliance, allow 2" minimum clearance between drawer or door and obstruction.

Use these dimensions and clearance instructions for planning purposes only. For detailed installation instructions, refer to installation guide, packed with product, or on the web at frigidaire.com.



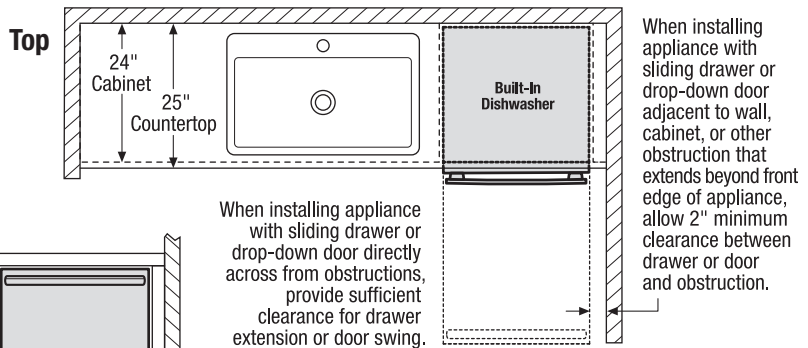
When installing appliances adjacent to each other, 20" minimum distance between each appliance required.

When installing built-in cooking appliances in combination, 2" minimum visible gap between appliance faceplates required.



When installing appliance with sliding drawer, swinging or drop-down door directly across from obstructions, provide sufficient clearance for drawer extension or door swings.

\*When installing refrigerator adjacent to wall, cabinet or other appliance that extends beyond front edge of unit, 20" minimum clearance recommended to allow for optimum 140° door swing, providing complete crisper access and removal. (Absolute 3" minimum clearance will ONLY allow for 90° door swing which will provide limited crisper access with restricted removal.)



When installing appliance with sliding drawer or drop-down door directly across from obstructions, provide sufficient clearance for drawer extension or door swing.

When installing appliance with sliding drawer or drop-down door adjacent to wall, cabinet, or other obstruction that extends beyond front edge of appliance, allow 2" minimum clearance between drawer or door and obstruction.

