



30" Electric Microwave Combination Oven with Fan Convection

Microwave Combination Wall Oven

Available Products: FCWM3027AB, FCWM3027AD, FCWM3027AS

Available Colors: Black, Black Stainless Steel, Stainless Steel

Version: 06/23

Product Specifications

Cooking Controls

Bake	Yes
Bake Time	Yes
Broil	Yes
Cancel	Yes
Clock	Yes
Convection Bake	Yes
Cook Time	Yes
Delay Start	Yes
Kitchen Timer	Yes
Light	Yes
Off	Yes
Oven Light	Yes
Preheat	Yes
Self Clean	Yes
Start	Yes
Temperature Display	Yes
Timer On / Off	Yes

Oven

Bake Element	2600 Watts
Bake Element Pass	4
Bake Element Type	Hidden
Broil Element	4000 Watts
Broil Element Pass	6
Cleaning System	Yes
Convection	Yes
Convection Type	Fan
Number of Convection Fans	1
Number of Rack Positions	6
Oven Interior Color	Midnight Black
Oven Light Quantity	1
Oven Light Type	Halogen
Oven Light Watts	40 Watts
Rack Position Type	Embossed
Rack Type 1	Flat
Rack Type 1 Quantity	2

Controls

Control Lock	Yes
Sabbath Mode	Yes

Cooking Controls Function

Change between Continuous Bake Setting or 12-Hour	Yes
Energy Saving Feature	Yes
Program Fahrenheit or Celsius	Yes
Silent Control Panel	Yes

Microwave Cooking

Microwave Cooking Power	1100 Watts
Auto Cook	Yes
Beverage	Yes
Defrost	Yes
Melt / Soften	Yes
Popcorn	Yes
Potato	Yes
Reheat	Yes
Sensor Cooking	Yes
Veggies	Yes

Microwave Control Features

+ 30 Seconds	Yes
--------------	-----

Internal Specifications

Interior Color	White
Interior Light Quantity	1
Interior Light Type	Halogen
Interior Light Wattage	25 Watts
Rack	Yes
Turntable Diameter	13 1/2"
Turntable Material	Glass

Electrical Specifications

Amps @ 240 Volts	40 Amps
Connected Load @ 240V	7.9 kW
Minimum Circuit Required	40 Amps
Voltage Rating	240 V

General Specifications

Frigidaire Fit Promise	Yes
Prop 65 Label	Yes
Warranty - Labor	1 Year
Warranty - Parts	1 Year

30" Electric Microwave Combination Oven with Fan

Microwave Combination Wall Oven

Convection

Available Products: FCWM3027AB, FCWM3027AD,

Available Colors: Black, Black Stainless Steel, Stainless Steel

FCWM3027AS

Version: 06/23

Display

Control Location	Front
Display Interface Color	White
Display Light Color	White
Display Type	Membrane

Safety Certifications and Approvals

CSA Listed	Yes
UL Listed	Yes
RoHS	Yes

Dimensions and Volume

Height	42"
Width	29 7/8"
Depth	25 3/16"
Depth With Door 90° Open	48 3/16"
Depth With Handle	27 6/10"
Oven Interior Height	18 1/8"
Oven Interior Width	25 2/10"
Oven Interior Depth	19 7/8"
Microwave Interior Height	10 1/2"
Microwave Interior Width	17 3/8"
Minimum Cutout Height	41 1/4"
Minimum Cutout Width	28 1/2"
Maximum Cutout Height	42 1/8"
Maximum Cutout Width	28 3/4"
Microwave Capacity	1.6 Cu. Ft.
Oven Capacity	5.3 Cu. Ft.

Installation

Power Supply Connection Location	Top Left
----------------------------------	----------

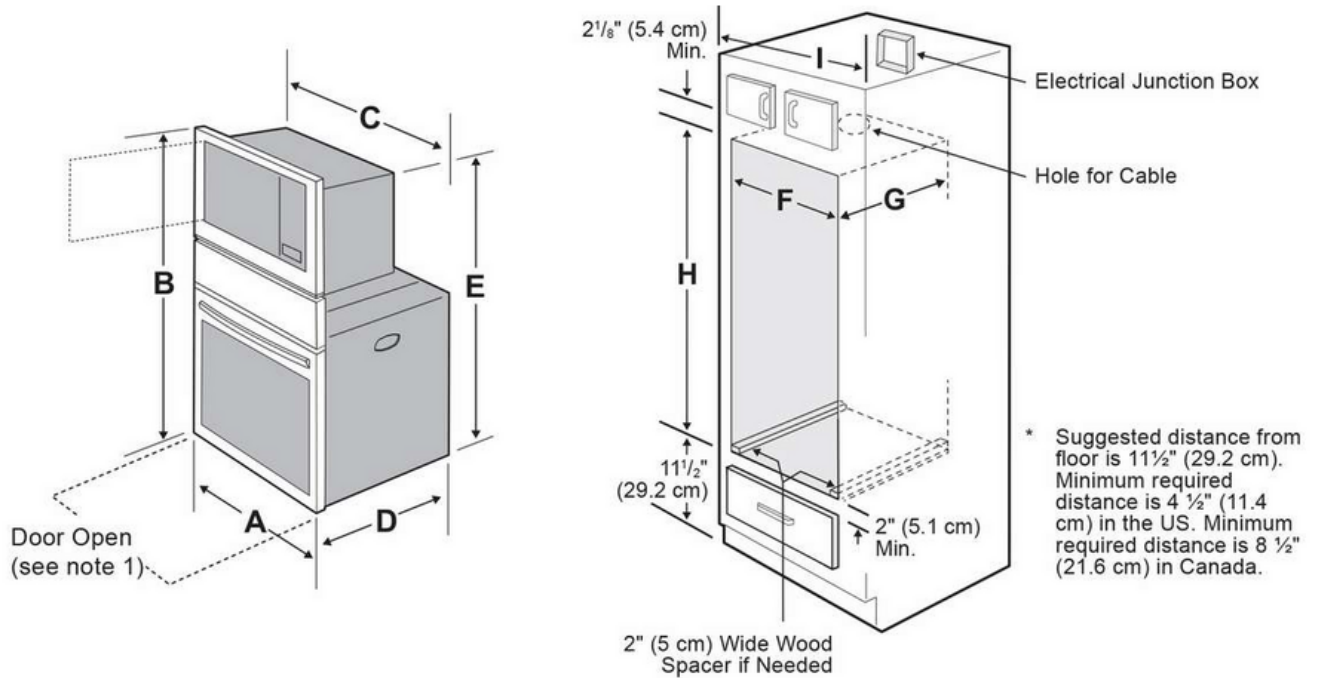
Certifications and Approvals

Star-K Certification	Yes
----------------------	-----

Accessories

Optional Trim Kit Part Number	WOMC3TRIMSS, WOMC3TRIMDSS, WOMC3TRIMBLK
-------------------------------	---

Installation Diagram



NOTES:

1. Allow at least 22" (55.9cm) clearance in front of oven for door depth when it is open.
2. Dimension G (cutout depth) is critical to the proper installation of the built-in oven. If the oven decorative trim does not butt against the cabinet verify dimension G to assure it is the required depth.
3. For a cutout height greater than the maximum (H), add one 2"(5 cm) wide wood shim of appropriate height to each side of the opening under the appliance side rails. A trim kit may be purchased through a dealer, service, or on the brand website.

PRODUCT DIMENSIONS					
A	B	C	D	E	
30" (76.2 cm)	42" (106.6 cm)	28 7/16" (72.2 cm)	25 3/16" (63.9 cm)	41 3/16" (104.6 cm)	
CUTOUT DIMENSIONS AND CABINET WIDTH					
F		G. Min.	H		I
Min.	Max.		Min.	Max.	
28 1/2" (72.4 cm)	28 3/4" (72.9 cm)	23 5/8" (60.0 cm)	41 1/4" (104.6 cm)	42 1/8" (107.0 cm)	30 1/8" (76.5 cm) Min