

FRIGIDAIRE®

All about the

Installation

of your **Laundry Center**



TABLE OF CONTENTS

Important Safety Instructions.....	2	Installation Instructions	14
Installation Requirements	4	Accessories and Replacement Parts	20
Unpacking Laundry Center	13		

IMPORTANT SAFETY INSTRUCTIONS



WARNING

For your safety the information in this manual must be followed to minimize the risk of fire or explosion or to prevent property damage, personal injury or loss of life. Save these instructions.




WARNING - RISK OF FIRE

- Ensure the entire dryer exhaust system is clean and free of lint and debris prior to the installation of your new laundry center. The entire exhaust system should be inspected and cleaned a minimum of every 18 months with normal usage. Failure to comply with cleaning your exhaust system will increase the RISK of FIRE.
- DO NOT install a clothes dryer with flexible plastic or flexible foil venting material. Flexible venting materials are known to collapse, be easily crushed and trap lint. These conditions will obstruct clothes dryer airflow and increase the risk of fire.
- DO NOT screen the exhaust ends of the vent system, or use any screws, rivets or other fasteners that extend into the duct to assemble the exhaust system. NO screen or grate of any mesh size is allowed to cover the outdoor exhaust opening.
- Install the laundry center according to the manufacturer's instructions and local codes.
- Laundry Center installation and service must be performed by a qualified installer, service agency or the gas supplier.
- The electrical service to the dryer must conform with local codes and ordinances and the latest edition of the National Electrical Code, ANSI/NFPA 70, or in Canada, the Canadian Electrical Code CSA C22.1 part 1.
- The gas service to the dryer must conform with local codes and ordinances and the latest edition of the National Fuel Gas Code ANSI Z223.1/NFPA 54, or in Canada, the Natural Gas and Propane Installation Code, CSA B149.1. An individual manual shutoff valve must be installed within 6 ft. (1.83 m) of the dryer in accordance with the National Fuel Gas Code, ANSI Z223.1/NFPA 54.
- The laundry center is designed under ANSI Z21.5.1/CSA 7.1 or UL 2158 - CAN/CSA C22.2 No. 112 (latest editions) for HOME USE only. This laundry center is not recommended for commercial applications such as restaurants, beauty salons, etc.
- Destroy the carton and plastic bags after the laundry center is unpacked. Children might use them to play. Cartons covered with rugs, bedspreads, or plastic sheets can become airtight chambers causing suffocation. Place all materials in a garbage container or make materials inaccessible to children.

The instructions in this manual and all other literature included with this dryer are not meant to cover every possible condition and situation that may occur. Good safe practice and caution MUST be applied when installing, operating and maintaining any appliance.

Definitions

 This is the safety alert symbol. It is used to alert you to potential personal injury hazards. Obey all safety messages that follow this symbol to avoid possible injury or death.



DANGER

DANGER indicates an imminently hazardous situation which, if not avoided, will result in death or serious injury.



CAUTION

CAUTION indicates a potentially hazardous situation which, if not avoided, may result in minor or moderate injury.



WARNING

WARNING indicates a potentially hazardous situation which, if not avoided, could result in death or serious injury.



IMPORTANT

IMPORTANT indicates installation, operation or maintenance information which is important but not hazard-related.

SAVE THESE INSTRUCTIONS FOR FUTURE REFERENCE.

IMPORTANT SAFETY INSTRUCTIONS

For your Safety

- DO NOT store or use gasoline, or other flammable liquids in the vicinity of this or any other appliance. Read product labels for warnings regarding flammability and other hazards.
- DO NOT operate the appliance in the presence of explosive fumes.
- Remove all staples from the carton. Staples can cause severe cuts, and also destroy finishes if they come in contact with other appliances or furniture.



CAUTION

EXCESSIVE WEIGHT HAZARD

To avoid back or other injury, have more than one person move or lift the appliance.

Child Safety

Destroy or recycle the carton, plastic bags, and any exterior wrapping material immediately after the appliance is unpacked. Children should never use these items for play. Cartons covered with rugs, bedspreads, plastic sheets or stretch wrap may become airtight chambers, and can quickly cause suffocation.



WARNING

ELECTRIC SHOCK HAZARD

Certain internal parts are intentionally not grounded and may present a risk of electrical shock if contacted during installation. Do not contact the following parts while the appliance is energized:

- Pump
- Drive Motor
- Electronic control boards
- Water valve



Installation Checklist

Shipping Hardware

- Foam shipping restraint (inside wash tub) removed and stored
- Foam shipping support (underneath appliance) removed and stored

Leveling

- Laundry center is level, side-to-side and front-to-back
- Cabinet is setting solid on all corners

Water Supply

- Use only new hoses and verify rubber sealing washers are installed
- HOT supply is connected to HOT inlet and COLD supply is connected to COLD inlet
- HOT and COLD water supply turned on
- No leaks present at water supply connections or appliance inlet connections -recheck in 24 hours

Drain

- Stand pipe or wall drain height min. 33"
- Drain hose secured in place with cable tie (shipped in drum)

Exhaust Venting

- Free-flowing, clear of lint buildup
- 4 inch (102 mm) rigid or semi-rigid ducting of minimal length and turns
- NO foil or plastic venting material
- Approved vent hood exhausted to outdoors

Gas Supply (Gas Dryer)

- Manual shutoff valve present in supply
- All connections sealed with approved sealer and wrench tight
- Conversion kit for LP system
- Gas supply turned on
- No leaks present at all connections - check with soapy water, NEVER check with flame

240v Electric Supply (Electric Dryer)

- Approved NEMA 10-30R or 14-30R service cord with all screws tight on terminal block
- Approved strain relief installed
- Terminal access cover installed before initial operation

Electrical Power

- House power turned on
- Laundry Center plugged in

Final Checks

- Installation Instructions and Use and Care Guide read thoroughly
- Water enters drum when cycle starts with lid lowered. Dryer door latches and drum tumbles when cycle starts.
- Registration card sent in

INSTALLATION REQUIREMENTS

Pre-Installation Requirements

Tools and materials needed for installation:

- Adjustable pliers
- Phillips, straight, & square bit screwdrivers
- Adjustable wrench
- Pipe wrench for gas supply (gas dryer)
- LP-resistant thread tape (for natural gas or LP supply, gas dryer)
- Carpenter's level
- External vent hood
- 4-inch (102 mm), rigid metal or semi-rigid metal exhaust duct work
- 3-wire or 4-wire 240 volt cord kit (electric dryer)
- 4 in. (102 mm) clamp
- Gas line shutoff valve (gas dryer)
- ½ NPT union flare adapters (x2) and flexible gas supply line (gas dryer)
- Metal foil tape (not duct tape)
- Inlet hoses (x2)



NOTE

Hoses are not included with washer purchase. See "Accessories" section for various inlet hose kits to fit your specific installation.



NOTE

Because of potentially inconsistent voltage capabilities, the use of this dryer with power created by gas powered generators, solar powered generators, wind powered generators or any other generator other than the local utility company is not recommended.

Electrical requirements for Laundry Center with electric dryer

CIRCUIT - Individual 30 amp. branch circuit fused with 30 amp. time delay fuses or circuit breakers.

POWER SUPPLY - 3-wire or 4-wire, 240 volt, single phase, 60 Hz, Alternating Current.



IMPORTANT

This laundry center is internally grounded to neutral unless it was manufactured for sale in Canada.

Only a 4-conductor cord shall be used when the appliance is installed in a location where grounding through the neutral conductor is prohibited. Grounding through the neutral link is prohibited for: (1) new branch circuit installations, (2) mobile homes, (3) recreational vehicles, and (4) areas where local codes DO NOT permit grounding through the neutral.

OUTLET RECEPTACLE - NEMA 10-30R or NEMA 14-30R receptacle to be located so the power supply cord is accessible when the dryer is in the installed position.

GROUNDING CONNECTION - See "Grounding requirements" in Electrical Installation section.



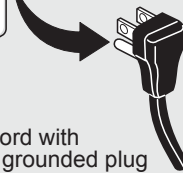
WARNING

Improper grounding of the laundry center may cause serious injury or death. Check with a licensed electrician if you are in doubt as to whether the appliance is properly grounded.

Grounding type wall receptacle



Do not, under any circumstances, cut, remove, or bypass the grounding prong.



Power cord with 3-prong grounded plug

3-WIRE POWER SUPPLY CORD KIT (not supplied)



3-wire receptacle (NEMA type 10-30R)

The dryer MUST employ a 3-conductor power supply cord NEMA 10-30 type SRDT rated at 240 volt AC minimum, 30 amp, with 3 open end spade lug connectors with upturned ends

INSTALLATION REQUIREMENTS

or closed loop connectors and marked for use with clothes dryers. For 3-wire cord connection instructions see ELECTRICAL CONNECTIONS FOR A 3-WIRE SYSTEM.

4-WIRE POWER SUPPLY CORD KIT (not supplied)



4-wire receptacle
(NEMA type 14-30R)

The dryer MUST employ a 4-conductor power supply cord NEMA 14-30 type SRDT or DRT (as required) rated at 240 volt AC minimum, 30 amp, with 4 open end spade lug connectors with upturned ends or closed loop connectors and marked for use with clothes dryers. For 4-wire cord connection instructions see ELECTRICAL CONNECTIONS FOR A 4-WIRE SYSTEM.



NOTE

Laundry centers manufactured for sale in Canada have factory-installed, 4-wire power supply cord (NEMA 14-30R).

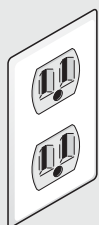
Electrical requirements for Laundry Center with gas dryer



WARNING

Improper grounding of the laundry center may cause serious injury or death. Check with a licensed electrician if you are in doubt as to whether the appliance is properly grounded.

Grounding type wall receptacle



Do not, under any circumstances, cut, remove, or bypass the grounding prong.

Power cord with 3-prong grounded plug

CIRCUIT - Individual, properly polarized and grounded 15 amp. branch circuit fused with 15 amp. time delay fuse or circuit breaker.

POWER SUPPLY - 2-wire, with ground, 120 volt, single phase, 60 Hz, Alternating Current.

POWER SUPPLY CORD - The dryer is equipped with a 120 volt 3-wire power cord.

GROUNDING CONNECTION - See "Grounding requirements" in Electrical Installation section.

Gas supply requirements



WARNING

EXPLOSION HAZARD

Uncoated copper tubing will corrode when subjected to natural gas, causing gas leaks. Use ONLY black iron, stainless steel, or plastic-coated brass piping for gas supply.

1. Installation MUST conform with local codes, or in the absence of local codes, with the National Fuel Gas Code, ANSI Z223.1 (latest edition).
2. The gas supply line should be 1/2 inch (1.27 cm) pipe.
3. If codes allow, flexible metal tubing may be used to connect your dryer to the gas supply line. The tubing MUST be constructed of stainless steel or plastic-coated brass.
4. The gas supply line MUST have an individual shutoff valve installed in accordance with the B149.1, Natural Gas and Propane Installation Code.
5. A 1/8 inch (0.32 cm) N.P.T. plugged tapping, accessible for test gauge connection, MUST be installed immediately upstream of the gas supply connection to the dryer.
6. The dryer MUST be disconnected from the gas supply piping system during any pressure testing of the gas supply piping system at test pressures in excess of 1/2 psig (3.45 kPa).
7. The dryer MUST be isolated from the gas supply piping system during any pressure testing of the gas supply piping system at test pressures equal to or less than 1/2 psig (3.45 kPa).
8. Connections for the gas supply must comply with the Standard for Connectors for Gas Appliances, ANSI Z21.24 - CSA 6.10.

INSTALLATION REQUIREMENTS

Water supply requirements

Hot and cold water faucets **MUST** be installed within 42 inches (107 cm) of your washer's water inlet. The faucets **MUST** be 3/4 inch (1.9 cm) with threading for laundry hose connection. Water pressure **MUST** be between 10 psi (0.69 bars) and 120 psi (8.27 bars). Pressure difference between hot and cold cannot be more than 10 psi. Your water department can advise you of your water pressure.

NOTE

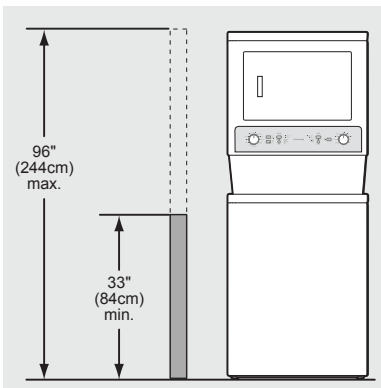
Washers connected to water supplies with lower inlet pressure will experience longer filling times and may not complete cycles as quickly.

Drain system requirements

1. Drain capable of eliminating 17 gallons (64.3 L) per minute.
2. A standpipe diameter of 1-1/4 in. (3.18 cm) minimum.
3. Standpipe height above the floor should be:
Minimum height: 33 in. (84 cm)
Maximum height: 96 in. (244 cm)

NOTE

For installations requiring a longer drain hose, have a qualified technician install a longer drain hose (according to your model number) available from an authorized parts distributor. For drain systems in the floor, install a syphon break kit available from your local hardware store.



Exhaust system requirements

Use only 4 inch (102 mm) diameter rigid or flexible metal duct and approved vent hood which has a swing-out damper(s) that open when the dryer is in operation. When the dryer stops, the dampers automatically close to prevent drafts and the entrance of insects and rodents. To avoid restricting the outlet, maintain a minimum of 12 inches (30.5 cm) clearance between the vent hood and the ground or any other obstruction.

WARNING

FIRE HAZARD

Failure to follow these instructions can create excessive drying times and fire hazards.

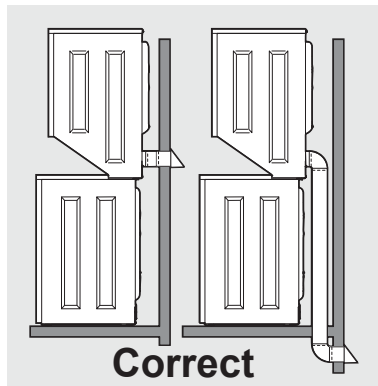
The following are specific requirements for proper and safe operation of your dryer.

WARNING

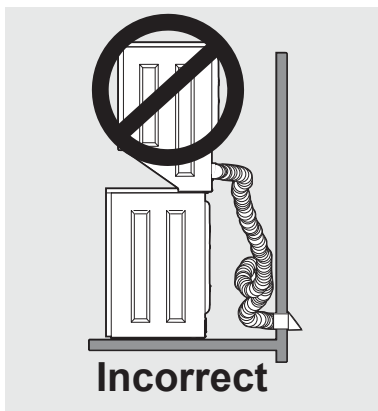
FIRE HAZARD

DO NOT install a clothes dryer with flexible plastic or metal foil venting materials. Flexible venting materials are known to collapse, be easily crushed and trap lint. These conditions will obstruct clothes dryer airflow and increase the risk of fire.

If your present system is made up of plastic duct or metal foil duct, replace it with a rigid or semi-rigid metal duct. Also, ensure the present duct is free of any lint prior to installing dryer duct.



INSTALLATION REQUIREMENTS



WARNING

FIRE HAZARD

A clothes dryer must be exhausted outdoors. DO NOT exhaust dryer into a chimney, a wall, a ceiling, an attic, a crawl space or any concealed space of a building. A clothes dryer produces combustible lint. If the dryer is not exhausted outdoors, some fine lint will be expelled into the laundry area. An accumulation of lint in any area of the home can create a health and fire hazard.

The dryer must be connected to an exhaust outdoors. **Prior to installing your new dryer**, inspect the outdoor exhaust opening and remove any accumulation of lint around the outdoor exhaust opening and in the surrounding area.



WARNING

FIRE HAZARD

Failure to follow safety warnings exactly could result in serious injury, death, or property damage.

DO NOT install a booster fan in the exhaust duct.

Install ALL clothes dryers in accordance with the installation instructions in this manual.



WARNING

FIRE HAZARD

- DO NOT allow combustible materials (for example: clothing, draperies/curtains, paper) to come in contact with exhaust system. The dryer MUST NOT be exhausted into a chimney, a wall, a ceiling, or any concealed space of a building which can accumulate lint, resulting in a fire hazard.
- DO NOT screen the exhaust ends of the vent system, or use any screws, rivets or other fasteners that extend into the duct to assemble the exhaust system. **No screen, grate, or guard of any mesh size is allowed to cover the exhaust opening. Lint can become caught in the screen, grate, guard, or on the screws or rivets, clogging the duct work and creating a fire hazard as well as increasing drying times.** Use an approved vent hood to terminate the duct outdoors, and seal all joints with metal foil tape. All male duct pipe fittings MUST be installed downstream with the flow of air.



WARNING

FIRE HAZARD

Exceeding the length of duct pipe or number of elbows allowed in the "MAXIMUM LENGTH" charts can cause an accumulation of lint in the exhaust system. Plugging the system could create a fire hazard, as well as increase drying times.

Number of 90° turns	MAXIMUM LENGTH of 4" (102 mm) Rigid Metal Duct	
	VENT HOOD TYPE	
	(Preferred)	
	4" (10.2 cm)	2.5" (6.35 cm)
0	56 ft. (17 m)	42 ft. (13 m)
1	48 ft. (14.5 m)	34 ft. (10.5 m)
2	40 ft. (12 m)	26 ft. (8 m)
3	32 ft. (9.5 m)	18 ft. (5.5 m)

INSTALLATION REQUIREMENTS



WARNING

FIRE HAZARD

- DO NOT install flexible plastic or flexible foil venting material.
- If installing semi-rigid venting, DO NOT exceed 8 ft. (2.4 m) duct length

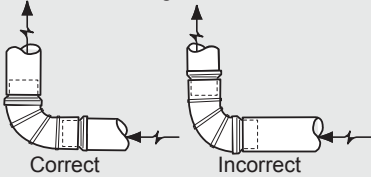


WARNING

FIRE HAZARD

- Failure to follow safety warnings exactly could result in serious injury, death, or property damage.
- DO NOT install a booster fan in dryer exhaust duct.
- Install all clothes dryers in accordance with the installation instructions in this manual.

Install male fittings in correct direction:



In installations where the exhaust system is not described in the charts, the following method must be used to determine if the exhaust system is acceptable:

1. Connect an inclined or digital manometer between the dryer and the point the exhaust connects to the dryer.
2. Set the dryer timer and temperature to air fluff (cool down) and start the dryer.
3. Read the measurement on the manometer.
4. **The system backpressure MUST NOT be higher than 0.6 inches of water column. If the system back pressure is less than 0.6 inches of water column, the system is acceptable. If the manometer reading is higher than 0.6 inches of water column, the system is too restrictive and the installation is unacceptable.**

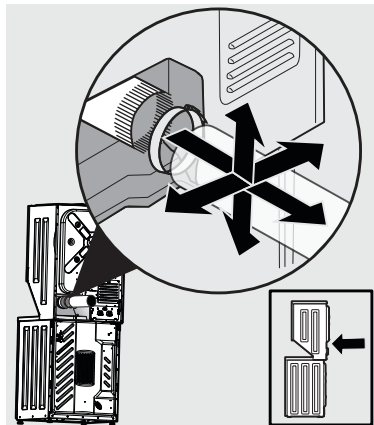
Although vertical orientation of the exhaust system is acceptable, certain extenuating circumstances could affect the performance of the dryer:

- Only rigid metal duct work should be used.
- Venting vertically through a roof may expose the exhaust system to down drafts causing an increase in vent restriction.
- Running the exhaust system through an uninsulated area may cause condensation and faster accumulation of lint.
- Compression or crimping of the exhaust system will cause an increase in vent restriction.
- The exhaust system should be inspected and cleaned a minimum of every 18 months with normal usage. The more the dryer is used, the more often you should check the exhaust system and vent hood for proper operation.

Exhaust direction

The laundry center may be exhausted four (4) ways with rear flush installation:

1. Straight back
2. Down (8 inch [20.3 cm] length of 4 inch diameter [102 mm] rigid duct and 1 elbow down)
3. Left (8 inch [20.3 cm] length of 4 inch diameter [102 mm] rigid duct, 1 elbow down and 1 elbow left)
4. Right (8 inch [20.3 cm] length of 4 inch diameter [102 mm] rigid duct, 1 elbow down and 1 elbow right)



INSTALLATION REQUIREMENTS

An exhaust hood positioned to line up with the dryer exhaust can be installed directly through the outside wall. To exhaust to the side or down, add an 8 inch (20.3 cm) length of standard 4 inch (102 mm) diameter duct and a 90° elbow.

To exhaust up, add an 11 inch (28 cm) length of standard 4 inch (102 mm) diameter duct and a 90° elbow. The unit will be positioned about 4.5 inches (11.5 cm) away from the wall (flush to wall exhausting may be done by going below the dryer then sideways).

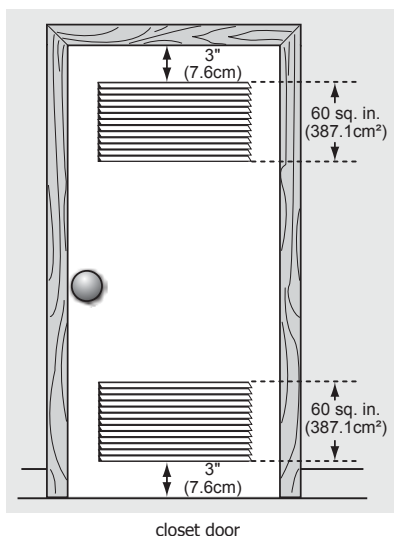
See also *Clearance Requirements* in this instruction.

Manufactured or mobile home installation

1. Installation **MUST** conform to current Manufactured Home Construction & Safety Standard, Title 24 CFR Part 3280 (formerly the Federal Standard for Mobile Home Construction and Safety, Title 24, HUD Part 280) or Standard CAN/CSA-Z240 MH.
2. Dryer **MUST** be exhausted outside (outdoors, not beneath the mobile home) using metal ducting that will not support combustion. Metal ducting must be 4 inches (10.16 cm) in diameter with no obstructions. Rigid metal duct is preferred. Exhaust ducts must be securely fastened to a noncombustible portion of the mobile home structure.
3. If dryer is exhausted through the floor and area beneath the mobile home is enclosed, the exhaust system **MUST** terminate outside the enclosure with the termination securely fastened to the mobile home structure.
4. Refer to previous sections in this guide for other important exhaust venting system requirements.
5. When installing a gas dryer into a mobile home, a provision must be made for outside make up air. This provision is to be not less than twice the area of the dryer exhaust outlet.
6. Installer **MUST** anchor this laundry center to the floor with approved Mobile Home Installation Kit - P/N 137067200

Installation in a Recess or Closet

1. A dryer installed in a bedroom, bathroom, recess or closet, **MUST** be exhausted outdoors.
2. No other fuel burning appliance shall be installed in the same closet as the gas dryer.
3. Your dryer needs the space around it for proper ventilation.
4. **DO NOT** install your dryer in a closet with a solid door.
5. Closet door ventilation required: A minimum of 120 square inches (774.2 cm²) of opening, equally divided at the top and bottom of the door, is required. Openings should be located 3 inches (7.6 cm) from bottom and top of door. Openings are required to be unobstructed when a door is installed. A louvered door with equivalent air openings for the full length of the door is acceptable.



INSTALLATION REQUIREMENTS

Clearance requirements

MINIMUM INSTALLATION CLEARANCES - Inches (cm)				
	SIDES	REAR	TOP	FRONT
Alcove	0" (0 cm)	0" (0 cm)	1" (2.5 cm)	n/a
Closet	0" (0 cm)	0" (0 cm)	1" (2.5 cm)	1" (2.5 cm)



WARNING

EXPLOSION HAZARD

DO NOT install the laundry center where gasoline or other flammables are kept or stored. If the laundry center is installed in a garage, the dryer portion must be a minimum of 18 inches (45.7 cm) above the floor. Failure to do so can result in death, explosion, fire or burns.

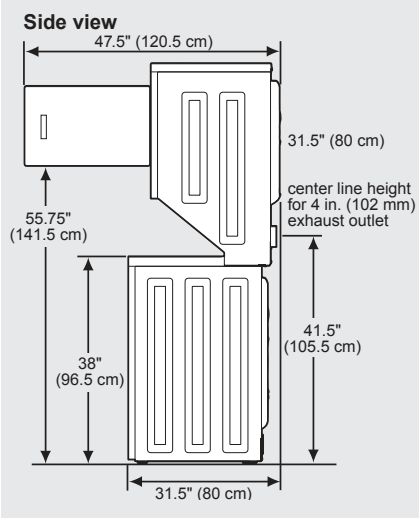
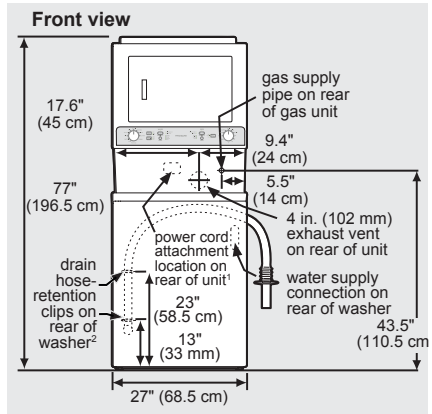


IMPORTANT

DO NOT INSTALL YOUR LAUNDRY CENTER:

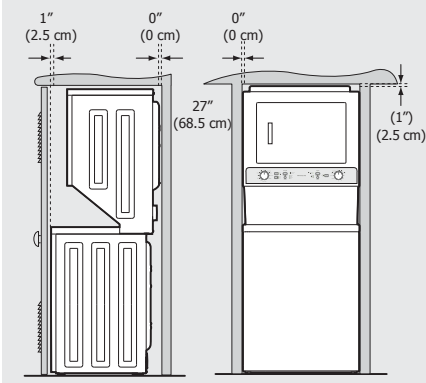
- In an area exposed to dripping water or outside weather conditions. The ambient temperature should never be below 60° F (15.6° C) to maximize detergent effectiveness.
- In an area where it will come in contact with curtains, drapes, or anything that will obstruct the flow of combustion and ventilation air.
- On carpet. Floor **MUST** be solid with a maximum slope of 1 inch (2.5 cm). To minimize vibration or movement, reinforcement of the floor may be necessary.

Laundry Center Dimensions



¹ Power supply cord length on gas unit approximately 60 inches (152.5 cm).

² Loose drain hose length beyond clamp approximately 51.5 inches (131 cm).



INSTALLATION REQUIREMENTS

Electrical installation

The following are specific requirements for proper and safe electrical installation of your dryer. Failure to follow these instructions can create electrical shock and/or a fire hazard



WARNING

ELECTRICAL SHOCK HAZARD

- This appliance **MUST** be properly grounded. Electrical shock can result if the dryer is not properly grounded. Follow the instructions in this manual for proper grounding.
- **DO NOT** use an extension cord with this dryer. Some extension cords are not designed to withstand the amounts of electrical current this dryer utilizes and can melt, creating electrical shock and/or fire hazard. Locate the dryer within reach of the receptacle for the length power cord to be purchased, allowing some slack in the cord. Refer to the pre-installation requirements in this manual for the proper power cord to be purchased.



WARNING

ELECTRICAL SHOCK HAZARD

- A U.L.-approved strain relief must be installed onto power cord. If the strain relief is not attached, the cord can be pulled out of the dryer and can be cut by any movement of the cord, resulting in electrical shock.
- **DO NOT** use an aluminum wired receptacle with a copper wired power cord and plug (or vice versa). A chemical reaction occurs between copper and aluminum and can cause electrical shorts. The proper wiring and receptacle is a copper wired power cord with a copper wired receptacle.



NOTE

Dryers operating on 208 volt power supply will have longer drying times than dryers operating on 240 volt power supply.

Grounding requirements - Electric dryer (USA)



WARNING

Improper grounding of the laundry center may cause serious injury or death. Check with a licensed electrician if you are in doubt as to whether the appliance is properly grounded.

For a grounded, cord-connected dryer:

1. The dryer **MUST** be grounded. In the event of a malfunction or breakdown, grounding will reduce the risk of electrical shock by a path of least resistance for electrical current.
2. After you purchase and install a 3 wire or 4 wire power supply cord having an equipment-grounding conductor and a grounding plug that matches you wiring system, the plug **MUST** be plugged into an appropriate, copper wired receptacle that is properly installed and grounded in accordance with all local codes and ordinances. If in doubt, call a licensed electrician.
3. **DO NOT** modify the plug you've installed on this appliance. If it will not fit the outlet, have a proper outlet installed by a qualified electrician.

For a permanently connected dryer:

The dryer **MUST** be connected to a grounded metal, permanent wiring system; or an equipment grounding conductor must be run with the circuit conductors and connected to the equipment-grounding terminal or lead on the appliance.

INSTALLATION REQUIREMENTS

Grounding requirements - Electric dryer (Canada)



WARNING

Improper grounding of the laundry center may cause serious injury or death. Check with a licensed electrician if you are in doubt as to whether the appliance is properly grounded.

For a grounded, cord-connected dryer:

1. The laundry center **MUST** be grounded. In the event of a malfunction or breakdown, grounding will reduce the risk of electrical shock by a path of least resistance for electrical current.
2. Since your laundry center is equipped with a power supply cord having an equipment-grounding conductor and a grounding plug, the plug must be plugged into an appropriate outlet that is properly installed and grounded in accordance with all local codes and ordinances. If in doubt, call a licensed electrician.
3. **DO NOT** modify the plug provided with this appliance. If it will not fit the outlet, have a proper outlet installed by a qualified electrician.

Grounding requirements - Gas dryer (USA and Canada)



WARNING

Improper grounding of the laundry center may cause serious injury or death. Check with a licensed electrician if you are in doubt as to whether the appliance is properly grounded.

Grounding type wall receptacle



Do not, under any circumstances, cut, remove, or bypass the grounding prong.

Power cord with 3-prong grounded plug

1. The laundry center is equipped with a three-prong (grounding) plug for your protection against shock hazard and should be plugged directly into a properly grounded three-prong receptacle.
2. The plug must be plugged into an appropriate outlet that is properly installed and grounded in accordance with all local codes and ordinances. If in doubt, call a licensed electrician.
3. **DO NOT** modify the plug provided with this appliance. If it will not fit the outlet, have a proper outlet installed by a qualified electrician.

UNPACKING LAUNDRY CENTER

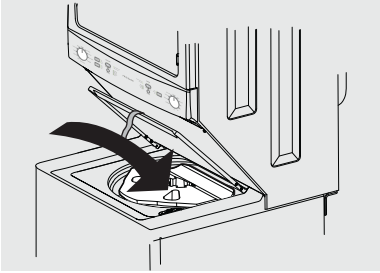
Unpacking Instructions



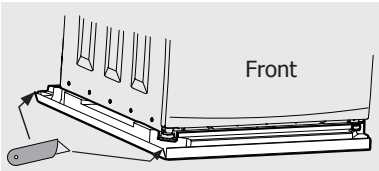
IMPORTANT

To prevent vibration, possible machine damage and maximize performance, the following steps must be completed.

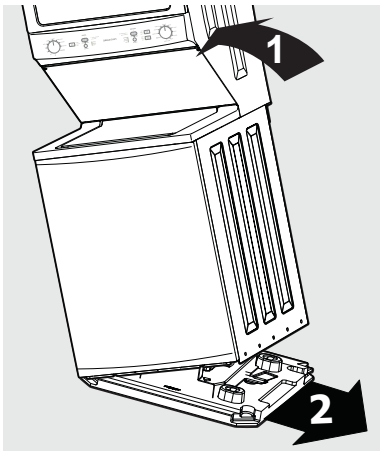
1. If foam tub block has been removed, reinsert it now and tape the lid securely.



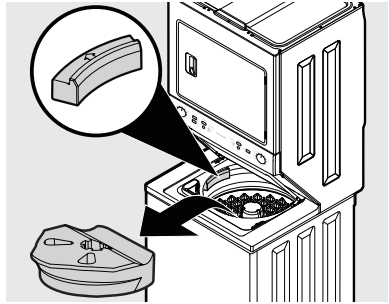
2. Carefully cut the front and back corners of the left side of the remaining cardboard.



3. With help from a second person, carefully tip the laundry center slightly to the left as shown in the picture below. Remove the foam shipping support from the base of the unit. Save packaging foam for future use.



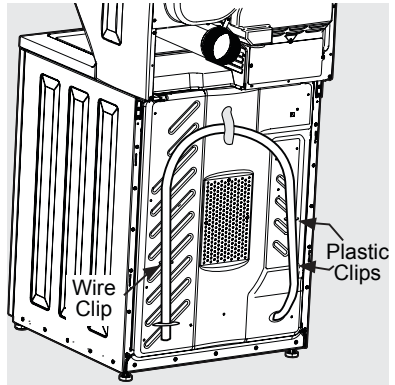
4. Carefully lower the laundry center to an upright position and remove the tape holding the lid shut. Remove the foam tub block, all foam inserts, and other tub contents.



NOTE

If the laundry center is to be transported at a later date, the tub blocking pad, foam base and tub support should be retained.

5. From the back of the washer, remove the wire shipping clips securing the drain hose.
6. DO NOT remove the PLASTIC CLIPS which secure the drain hose to the right side of the washer back sheet. It helps form a standpipe to prevent water siphoning.



7. Carefully move the laundry center to within four (4) feet of the final location for the start of the installation.



CAUTION

EXCESSIVE WEIGHT HAZARD

To avoid back or other injury, have more than one person move or lift the appliance.

INSTALLATION INSTRUCTIONS

Gas connection

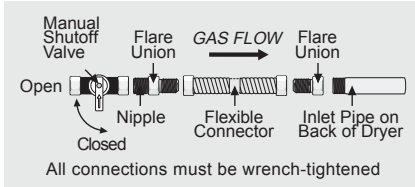
1. Remove the shipping cap from gas pipe at the rear of the dryer.



IMPORTANT

DO NOT connect the dryer to L.P. gas service without converting the gas valve. An L.P. conversion kit must be installed by a qualified gas technician.

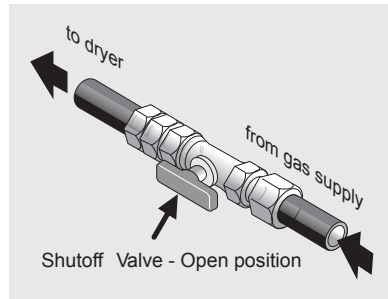
2. Connect a 1/2 inch (1.27 cm) I.D. semi-rigid or approved pipe from gas supply line to the 3/8 inch (0.96 cm) pipe located on the back of the dryer. Use a 1/2 inch to 3/8 inch (1.27 cm to 0.96 cm) reducer for the connection. Apply an approved thread sealer that is resistant to the corrosive action of liquefied gases on all pipe connections.



IMPORTANT

The supply line must be equipped with an approved manual shutoff valve. This valve should be located in the same room as the dryer and should be in a location that allows ease of opening and closing. DO NOT block access to the gas shutoff valve.

3. Open the shutoff valve in the gas supply line to allow gas to flow through the pipe. Wait a few minutes for gas to move through the gas line.



4. Check for gas system leaks with a manometer. If a manometer is not available, test all connections by brushing on a soapy water solution.



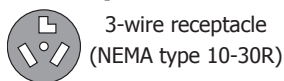
WARNING

EXPLOSION HAZARD

NEVER test for gas leaks with an open flame.

INSTALLATION INSTRUCTIONS

Electrical connection (non-Canada) - 3 wire cord

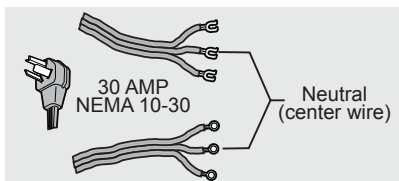


WARNING

ELECTRICAL SHOCK HAZARD

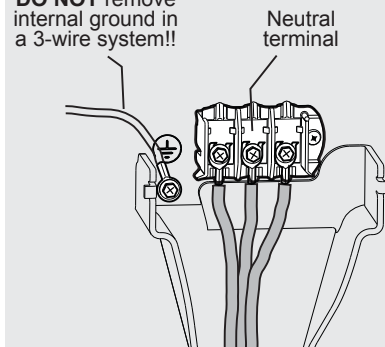
Failure to disconnect power source before servicing could result in personal injury or even death.

1. Turn off power supply to outlet.
2. Remove the screw securing the terminal block access cover on the back of the dryer.
3. Install a UL-approved strain relief according to the power cord/strain relief manufacturer's instructions in the power cord entry hole below the access panel. At this time, the strain relief should be loosely in place.
4. Thread an UNPLUGGED, UL-approved, 30 amp. power cord, NEMA 10-30 type SRDT, through the strain relief.



5. Attach the power cord neutral (center wire) conductor to the SILVER colored center terminal on the terminal block. Tighten the screw securely.
6. Attach the remaining two power cord outer conductors to the outer, BRASS colored terminals on the terminal block. Tighten both screws securely.

DO NOT remove internal ground in a 3-wire system!!



WARNING

ELECTRICAL SHOCK HAZARD

DO NOT make a sharp bend or crimp wiring/conductor at connections.

7. Follow manufacturer's guidelines for firmly securing the strain relief and power cord.
8. Reinstall the terminal block cover.



IMPORTANT

If moving dryer from a 4-wire system and installing it in a 3-wire system, move the internal ground from the center terminal back to the GREEN screw next to the terminal block.

INSTALLATION INSTRUCTIONS

Electrical connection (non-Canada) - 4 wire cord



4-wire receptacle
(NEMA type 14-30R)

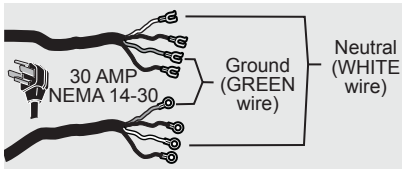


WARNING

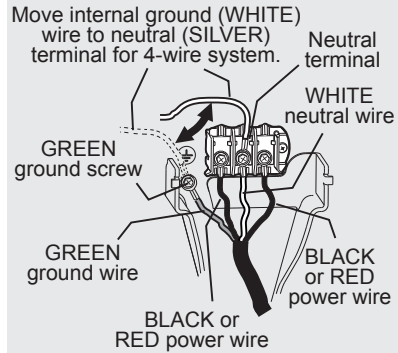
ELECTRICAL SHOCK HAZARD

Failure to disconnect power source before servicing could result in personal injury or even death.

1. Turn off power supply to outlet.
2. Remove the screw securing the terminal block access cover on the back of the dryer.
3. Install a UL-approved strain relief according to the power cord/strain relief manufacturer's instructions in the power cord entry hole below the access panel. At this time, the strain relief should be loosely in place.
4. Thread an UNPLUGGED, UL-approved, 30 amp. power cord, NEMA 14-30 type DRT or SRDT, through the strain relief.



5. Disconnect the internal (WHITE) dryer harness ground wire from the (GREEN) ground screw next to the terminal block.
6. Attach the ground (GREEN) power cord wire to the cabinet with the ground (GREEN) screw. Tighten the screw securely.
7. Move the internal dryer harness ground (WHITE) wire to the terminal block and attach it along with the neutral (WHITE) power cord wire conductor to the center, SILVER colored terminal on the terminal block. Tighten the screw securely.
8. Attach the RED and BLACK power cord conductors to the outer, BRASS colored terminals on the terminal block. Tighten both screws securely.



WARNING

ELECTRICAL SHOCK HAZARD

DO NOT make a sharp bend or crimp wiring/conductor at connections.

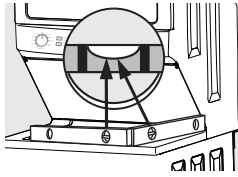
9. Follow manufacturer's guidelines for firmly securing the strain relief and power cord.
10. Reinstall the terminal block

INSTALLATION INSTRUCTIONS

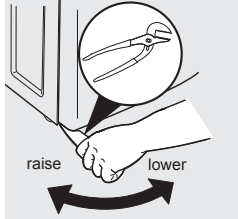
Leveling your laundry center

Excessive noise and vibration can be prevented by properly leveling the laundry center.

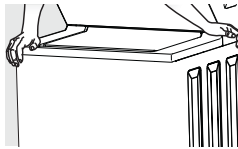
1. With the laundry center within 4 feet (1 m) of its final location, place a level on top of the washer lid.



2. Use adjustable pliers to adjust the leveling legs so the laundry center is level front-to-rear and side-to-side, and stable corner-to-corner.

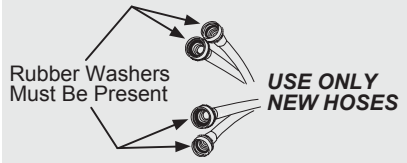
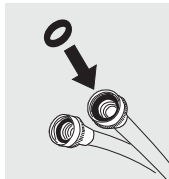
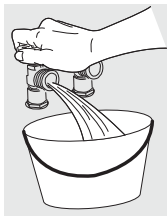


3. Press down on alternate corners and sides and feel for the slightest movement. Adjust the appropriate leg(s) so the laundry center sits solidly on the floor on ALL four legs. Keep the leveling leg extension at a minimum for best performance of the washer.



Connecting inlet water

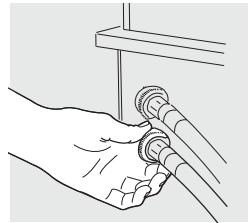
1. Run some water from the hot and cold faucets to flush the water lines and remove particles that might clog the water valve screens and to determine which faucet is hot and which is cold supply.
2. Check to ensure that the inlet hoses have the rubber washer firmly in place.



NOTE

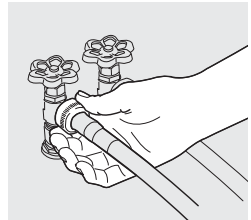
Hoses are not included with laundry center purchase. See "Accessories" section for various inlet hose kits to fit your specific installation.

3. Connect the HOT inlet hose to the HOT inlet connection on the washer and the COLD inlet hose to the COLD inlet connection on the washer.

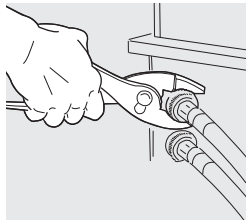


Tighten by hand until snug. Then tighten each supply connection another $\frac{2}{3}$ turn with pliers. **DO NOT cross thread or over-tighten these connections.**

4. Connect the HOT inlet hose to the HOT water supply and the COLD inlet hose to the COLD water supply. Tighten by hand until snug.



5. Tighten each supply connection another $\frac{2}{3}$ turn with pliers. **DO NOT bend, kink, or pinch water inlet hoses.**

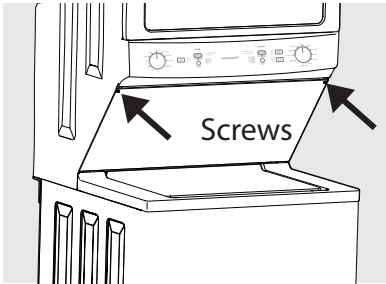


6. Turn on the water and check for leaks.

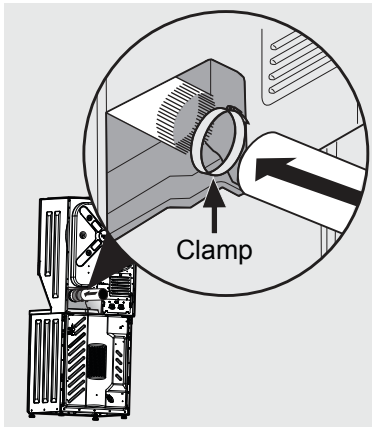
INSTALLATION INSTRUCTIONS

Connecting vent

1. Remove the two screws securing the dryer front access panel to the dryer cabinet. Lift the panel until the tabs can be disengaged from the cabinet, remove the panel and set aside.



2. Connect the exhaust duct to the outside exhaust system. Use of a 4" (10.2 cm) clamp is recommended to connect the dryer to the exhaust vent system. Use metal foil tape to seal all other joints.



3. Reinstall the dryer front access panel.



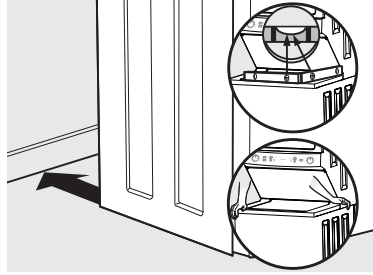
WARNING

ELECTRIC SHOCK HAZARD

Certain internal parts are intentionally not grounded and may present a risk of electrical shock if contacted during installation. Do not contact the following parts while the appliance is energized:

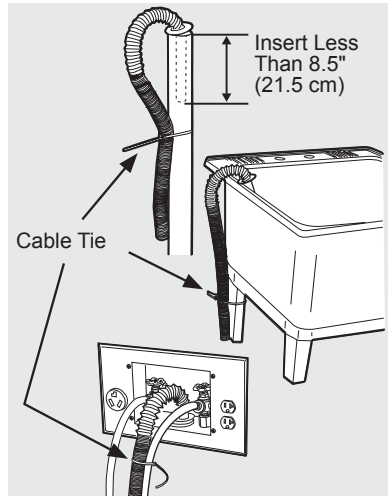
- Pump
- Drive Motor
- Electronic control boards
- Water valve

4. Carefully slide the laundry center to its final position. Recheck for level and rock corners for stability.



Connecting drain and electrical

1. Form a "U" shape on the end of the drain hose with the hose pointed toward the drain. Place the formed end in a laundry tub or a standpipe and secure the drain hose with the cable tie (provided in the enclosure package) to the standpipe, inlet hose, laundry tub, etc. so the hose does not pull out from the force of the water.



NOTE

The standpipe inside diameter must be 1-1/4" (3.2 cm) minimum. There must be an air gap around the drain hose in the standpipe. A snug hose fit can cause a siphoning action.

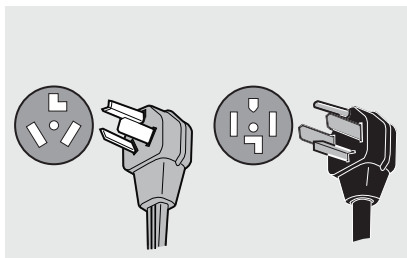
INSTALLATION INSTRUCTIONS



IMPORTANT

Check to ensure the power is off at a circuit breaker/fuse box before plugging the power cord into an outlet.

2. Plug the power cord into a grounded outlet



WARNING

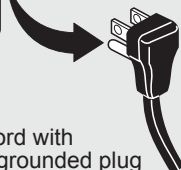
Improper grounding of the dryer may cause serious injury or death. Check with a licensed electrician if you are in doubt as to whether the appliance is properly grounded.

Grounding type wall receptacle



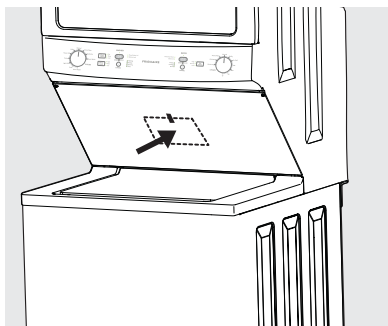
Do not, under any circumstances, cut, remove, or bypass the grounding prong.

Power cord with 3-prong grounded plug



3. Turn on the power at the circuit breaker/fuse box.
4. Read the *Use & Care Guide* provided with the laundry center. It contains valuable and helpful information that will save you time and money.
5. Run the washer through a complete cycle, checking for water leaks and proper operation.

6. If you have any questions during initial operation, please review the "Avoid Service Checklist" in your *Use & Care Guide* before calling for service.
7. Place these instructions in a location near the appliance for future reference.



NOTE

A wiring diagram and technical data sheet are located behind the dryer access panel.



WARNING

When discarding or storing your old laundry center, ALWAYS remove the washer and dryer doors.

ACCESSORIES AND REPLACEMENT PARTS

Accessories

LP CONVERSION KIT P/N PCK3100

Gas dryers intended for use in a location supplied with LP must use a conversion kit prior to installation.

MOBILE HOME INSTALLATION KIT P/N 137067200

Installation in a mobile home requires the use of a MOBILE HOME INSTALLATION KIT.

INLET HOSE KITS

Please call 866-233-8353 (in Canada, 800-265-8352) to explore hose kit options that will meet your specific installation needs.

TOUCH UP PAINT PENS*

Classic White Touch Up Pen -
P/N 5304468812

Classic Slate Touch Up Pen -
P/N 5304475700

*Other colors may be available. Contact the source where you purchased your laundry center.

Replacement parts:

If replacements parts are needed for your laundry center, contact the source where you purchased your laundry center or refer to your Use and Care Guide for more information.



CAUTION

Failure to use accessories manufactured by (or approved by) the manufacturer could result in personal injury, property damage or damage to the washer.

FRIGIDAIRE®

Todo acerca del

Instalación

de su centro de lavado



ÍNDICE DE CONTENIDO

Instrucciones de seguridad importantes	2	Instrucciones de instalación	14
Requisitos para la instalación	4	Accesorios y piezas de repuesto	20
Desembalaje del centro de lavado	13		

INSTRUCCIONES DE SEGURIDAD IMPORTANTES



ADVERTENCIA

Por su seguridad siga la información contenida en este manual para minimizar el riesgo de incendio o explosión y evitar daños en las propiedades, lesiones personales o incluso pérdida de vidas. Conserve estas instrucciones.




ADVERTENCIA: PELIGRO DE INCENDIO

- Asegúrese de que el sistema de extracción esté limpio y libre de pelusa y suciedad antes de instalar su nuevo centro de lavado. El sistema de extracción deberá inspeccionarse y limpiarse por completo al menos cada 18 meses de uso normal. No cumplir las normas sobre limpieza del sistema de extracción aumenta el RIESGO de INCENDIO.
- NO instale una secadora de ropa con material de ventilación de plástico flexible o de lámina de aluminio flexible. Es sabido que los materiales de ventilación flexibles se comprimen, se aplastan fácilmente y atrapan pelusa. Esto obstruye el flujo de aire en la secadora de ropa y aumenta el riesgo de incendio.
- NO obstruya los extremos de extracción del sistema de ventilación ni utilice tornillos, remaches u otros cierres que lleguen al interior del conducto para montar el sistema de extracción. NINGUNA pantalla o rejilla de malla de ningún tamaño deberá cubrir la abertura de la extracción al exterior.
- Instale el centro de lavado de conformidad con las instrucciones del fabricante y los códigos locales.
- La instalación y revisión del centro de lavado debe ser realizada por un instalador cualificado, un servicio de reparación o la empresa de suministro de gas.
- El servicio eléctrico de la lavadora deberá cumplir los códigos y las normas locales, así como la última edición del Código Eléctrico Nacional, ANSI/NFPA 70, o en Canadá, el Código Eléctrico de Canadá CSA C22.1 parte 1.
- El gas utilizado en la secadora deberá cumplir los códigos y ordenanzas locales y la última edición del National Fuel Gas Code ANSI Z223.1/NFPA 54 o, en Canadá, el Natural Gas and Propane Installation Code CSA B149.1. Deberá instalarse una válvula de cierre manual individual a una distancia máxima de 6 pies (1,83 m) de la secadora de conformidad con el National Fuel Gas Code, ANSI Z223.1/NFPA 54.
- El centro de lavado está diseñado de conformidad con las normas ANSI Z21.5.1 o UL 2158 - CAN/CSA C22.2 No. 112 (últimas ediciones) solo para USO DOMESTICO. Este centro de lavado no está recomendado para aplicaciones comerciales en restaurantes, salones de belleza, etc.
- Destruya la caja de cartón y las bolsas de plástico una vez desembalado el centro de lavado. Los niños podrían utilizarlas para jugar. Las cajas de cartón cubiertas con esterillas, colchas o láminas de plástico pueden convertirse en cámaras herméticas y provocar asfixia. Coloque todos los materiales en un contenedor de basuras o fuera del alcance de los niños.

Las instrucciones de este manual y todas las demás publicaciones incluidas con esta secadora no están diseñadas para cubrir todas las condiciones y situaciones que puedan llegar a producirse. Aplique prácticas recomendadas seguras y extreme la precaución al instalar, utilizar y realizar mantenimiento de cualquier electrodoméstico.

Definiciones

 Este es el símbolo de alerta de seguridad. Se utiliza para alertarle de potenciales peligros de lesiones personales. Obedezca todos los mensajes de seguridad que aparezcan después de este símbolo para evitar posibles lesiones o incluso la muerte.



PELIGRO

PELIGRO indica una situación inminente y peligrosa que, de no evitarse, producirá la muerte o lesiones graves.



PRECAUCIÓN

PRECAUCIÓN indica una situación potencialmente peligrosa que, de no evitarse, puede producir lesiones menos graves o moderadas.



ADVERTENCIA

ADVERTENCIA indica una situación potencialmente peligrosa que, de no evitarse, puede llegar a producir la muerte o lesiones graves.



IMPORTANTE

IMPORTANTE indica información sobre instalación, funcionamiento o mantenimiento que es importante pero no está relacionada con peligros.

GUARDE ESTAS INSTRUCCIONES PARA CONSULTAS FUTURAS.

INSTRUCCIONES DE SEGURIDAD IMPORTANTES

Por su seguridad:

- NO guarde ni use gasolina ni otros líquidos inflamables cerca de éste o de cualquier otro aparato. Lea en las etiquetas de los productos las advertencias relativas a la inflamabilidad y otros riesgos.
- NO utilice el aparato en presencia de humos explosivos.
- Retire todas las grapas de la caja de cartón. Las grapas pueden provocar cortes graves y destruir los acabados si entran en contacto con otros aparatos o muebles.

Seguridad de los niños

Destruya o recicle la caja de cartón, bolsas de plástico y materiales de embalaje exteriores inmediatamente después de desembalar el aparato. Los niños no deben utilizar estos materiales como juguetes en ningún caso. Las cajas de cartón cubiertas con esterillas, colchas, láminas de plástico o películas retráctiles pueden convertirse en cámaras herméticas y provocar rápidamente asfixia.



PRECAUCIÓN

PELIGRO DE PESO EXCESIVO

Para evitar lesiones en la espalda o de otro tipo, el aparato debe ser levantado o trasladado por más de una persona.



ADVERTENCIA

PELIGRO DE DESCARGA ELÉCTRICA

Determinadas piezas internas no han sido conectadas a tierra deliberadamente y pueden presentar riesgo de descarga eléctrica si se tocan durante la instalación. No toque las siguientes piezas mientras el electrodoméstico está activado eléctricamente:

- Bomba
- Motor de accionamiento
- Placas de control electrónico
- Válvulas de agua



Lista de comprobación para la instalación

Materiales de embalaje y envío

- Sujeción de espuma para envío (en el interior del tambor) retirada y guardada
- Sujeción de espuma para envío (bajo el aparato) retirada y guardada

Nivelado

- El centro de lavado está nivelado, de lado a lado y de frontal a trasera
- El mueble se apoya bien en todas las esquinas

Suministro de agua

- Utilice solo mangueras nuevas y compruebe que estén colocadas las arandelas de goma de sellado
- El suministro de agua CALIENTE está conectado a la entrada de agua CALIENTE y la de agua FRÍA, a la entrada de agua FRÍA
- Suministro de agua CALIENTE y FRÍA conectados
- Las conexiones del suministro de agua y las conexiones de entrada del aparato no presentan pérdidas; volver a comprobar en 24 horas

Desagüe

- Tubería vertical o desagüe de pared, altura mínima 33"
- Manguera dedesagüe fijado con brida para cables (se entrega en el tambor)

Salida de ventilación

- Con flujo libre, sin acumulación de pelusa
- Conducto rígido o semirrígido de 102 mm (4 pulgadas) con mínima longitud y curvas

- SIN material de plástico o papel de aluminio
- Campana de extracción autorizada con salida al exterior

Suministro de gas (Secadora de gas)

- Válvula de cierre manual presente en el suministro
- Todas las conexiones selladas con sellador aprobado y apretadas con llave
- Kit de conversión para sistema de LP
- Suministro de gas abierto
- No hay fugas en ninguna conexión (comprobar con agua jabonosa, NUNCA con llama)

Fuente de alimentación de 240 V (secadora eléctrica)

- Cable de servicio homologado NEMA 10-30R o 14-30R con todos los tornillos apretados en la regleta de bornas
- Aprietacable homologado instalado
- Cubierta de acceso al terminal instalada antes de la operación inicial

Alimentación eléctrica

- Corriente eléctrica de la vivienda encendida
- Centro de lavado conectado

Comprobaciones finales

- Instrucciones de instalación y Guía de uso y mantenimiento: leer atentamente
- El agua entra en el tambor al iniciar el ciclo con la tapa bajada
- La puerta de la secadora queda bien cerrada y el tambor gira al comenzar el ciclo
- Tarjeta de registro enviada

REQUISITOS PARA LA INSTALACIÓN

Requisitos previos a la instalación

Herramientas y materiales necesarios para la instalación:

- Alicates ajustables
- Destornilladores Phillips, recto y cuadrado
- Llave inglesa
- Llave de tubo para el suministro de gas (Secadora de gas)
- Cinta de hilo resistente al LP (secadora de gas natural o LP)
- Nivel de carpintero
- Campana de ventilación exterior
- Conducto de salida de metal rígido o semirrígido de 102 mm (4 pulgadas)
- Kit de cable de 3 o 4 hilos 240 voltios (secadora eléctrica)
- Abrazadera de 102 mm (4")
- Válvula de cierre de la tubería de gas (secadora de gas)
- Adaptadores de unión abocinada NPT 1/2 (x2) y tubo flexible de suministro de gas (secadora de gas)
- Cinta de aluminio (no cinta de embalar)
- Tubos de entrada de agua (x2)



NOTA

El precio de la lavadora no incluye mangueras. Consulte la sección "Accesorios" para ver los distintos kits de mangueras de entrada adecuados a su instalación concreta.



NOTA

Debido a la posible falta de voltaje constante, no se recomienda el uso de esta secadora con alimentación mediante generadores de gas, solares, eólicos u otro tipo de generador distinto del suministrado por su empresa de electricidad local.

Requisitos eléctricos del centro de lavado con secadora eléctrica

CIRCUITO - Circuito de derivación individual de 30 amperios con fusibles o disyuntor de 30 amperios con retardo.

FUENTE DE ALIMENTACIÓN - 3 o 4 hilos, 240 voltios, monofase, 60 Hz, corriente alterna.



IMPORTANTE

Este centro de lavado tiene conexión interna neutra a tierra salvo unidades para venta en Canadá.

Solo se utilizará cable de 4 conductores cuando el aparato se instale en un lugar en el que esté prohibido realizar la conexión a tierra a través del conductor neutro. Está prohibido realizar la conexión a tierra a través del enlace neutro para: (1) nuevas instalaciones con circuito de derivación, (2) viviendas móviles, (3) vehículos de recreo y (4) áreas en las que los códigos locales NO permitan la conexión a tierra a través del conductor neutro.

TOMA DE CORRIENTE - NEMA 10-30R o NEMA 14-30R situado de modo que el cable de alimentación quede accesible cuando la secadora quede instalada en su posición.

CONEXIÓN A TIERRA - Ver "Requisitos de conexión a tierra" en la sección Instalación eléctrica.



ADVERTENCIA

Una inadecuada conexión a tierra en el centro de lavado puede provocar lesiones graves o la muerte. Consulte a un electricista cualificado en caso de duda sobre si el aparato está adecuadamente conectado a tierra.

Tomacorriente de pared con conexión a tierra



Bajo ninguna circunstancia corte, extraiga o desvie las patas de conexión a tierra.



Cable de alimentación con enchufe de tres patas con conexión a tierra

KIT DE CABLE DE ALIMENTACIÓN DE 3 HILOS (no suministrado)



Toma de 3 hilos (NEMA tipo 10-30R)

La secadora DEBERÁ utilizar un cable de alimentación de 3 conductores NEMA 10-30 tipo SRDT para corriente alterna de 240 voltios y 30 amperios nominales como mínimo, con 3

REQUISITOS PARA LA INSTALACIÓN

conectores de pala con extremo abierto con extremos girados hacia arriba o conectores de bucle cerrado y marcados para uso con secadoras de ropa. Para instrucciones de conexión con cable de 3 hilos, consulte CONEXIONES ELÉCTRICAS PARA UN SISTEMA DE 3 HILOS.

KIT DE CABLE DE ALIMENTACIÓN DE 4 HILOS (no suministrado)



Toma de 4 hilos
(NEMA tipo 14-30R)

La secadora DEBERÁ utilizar un cable de alimentación de 4 conductores NEMA 14-30 tipo SRDT o DRT (según se precise) para corriente alterna de 240 voltios y 30 amperios nominales como mínimo, con 4 conectores de pala con extremo abierto con extremos girados hacia arriba o conectores de bucle cerrado y marcados para uso con secadoras de ropa. Para instrucciones de conexión con cable de 4 hilos, consulte CONEXIONES ELÉCTRICAS PARA UN SISTEMA DE 4 HILOS.



NOTA

Los centros de lavado fabricados para venta en Canadá tienen instalado de fábrica un cable de alimentación de 4 hilos (NEMA 14-30R).

Requisitos eléctricos del centro de lavado con secadora de gas



ADVERTENCIA

Una inadecuada conexión a tierra en el centro de lavado puede provocar lesiones graves o la muerte. Consulte a un electricista cualificado en caso de duda sobre si el aparato está adecuadamente conectado a tierra.

Tomacorriente de pared con conexión a tierra



Bajo ninguna circunstancia corte, extraiga o desvíe las patas de conexión a tierra.



Cable de alimentación con enchufe de tres patas con conexión a tierra

CIRCUITO - Circuito de derivación individual de 15 amperios adecuadamente polarizado y conectado a tierra con fusible o disyuntor de 15 amperios con retardo.

FUENTE DE ALIMENTACIÓN - 2 hilos, con conexión a tierra 120 voltios, monofase, 60 Hz, corriente alterna.

CABLE DE ALIMENTACIÓN - La secadora está equipada con un cable de alimentación de 3 hilos y 120 voltios.

CONEXIÓN A TIERRA - Ver "Requisitos de conexión a tierra" en la sección Instalación eléctrica.

Requisitos del suministro de gas



ADVERTENCIA

PELIGRO DE EXPLOSIÓN

Los tubos de cobre sin recubrir se corroen al exponerse a gas natural, provocando pérdidas de gas. Utilice SOLO tubería de hierro negro, acero inoxidable o latón con recubrimiento de plástico para suministro de gas.

1. La instalación DEBERÁ cumplir las normas locales o, de no haberlas, con el Código Nacional de Gas Combustible, ANSI Z223.1 (última edición).
2. La entrada de gas deberá ser una tubería de 1,27 cm (1/2 pulgada).
3. Si los códigos lo permiten, puede utilizarse tubería de metal flexible para conectar la secadora al suministro de gas. La tubería DEBERÁ estar fabricada de acero inoxidable o latón con recubrimiento plástico.
4. La tubería de suministro de gas DEBERÁ tener una válvula de cierre individual instalada de conformidad con el Código de Instalación de Gas Natural y Propano, B149.1.
5. DEBERÁ instalarse una conexión roscada con enchufe N.P.T. de 0,32 cm (1/8 de pulgada), accesible para pruebas inmediatamente después de la conexión de suministro de gas a la secadora.
6. La secadora DEBERÁ desconectarse del sistema de tubería de suministro de gas durante las comprobaciones de presión del sistema de tubería de suministro de gas a presiones de prueba superiores a 3,45 kPa (1/2 psig).
7. La secadora DEBERÁ aislarse del sistema de tubería de suministro de gas durante las comprobaciones de presión del sistema de tubería de suministro de gas a presiones de prueba iguales o inferiores a 3,45 kPa (1/2 psig).
8. Las conexiones para el suministro de gas deberán cumplir la Norma para Conectores de Aparatos de Gas, ANSI Z21.24 - CSA 6.10.

REQUISITOS PARA LA INSTALACIÓN

Requisitos de suministro de agua

Las llaves de agua fría y caliente DEBERÁN instalarse a menos de 107 cm (42 pulgadas) de la entrada de agua de la lavadora. Las llaves DEBERAN ser de 1,9 cm (3/4 de pulgada) con roscado para conexión a manguera de lavado. La presión de agua DEBERÁ ser entre 10 psi (0,69 bares) y 120 psi (8,27 bares). La diferencia de presión entre caliente y fría no puede ser de más de 10 psi. El servicio de aguas podrá asesorarle sobre su presión de agua.



NOTA

Las lavadoras conectadas a suministros de agua con presión de entrada baja tendrán tiempos de llenado más prolongados y es posible que no completen los ciclos con la misma rapidez.

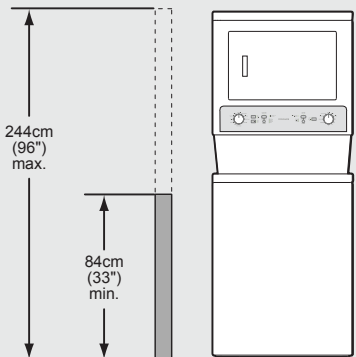
Requisitos del sistema de desagüe

1. Desagüe capaz de eliminar 64,3 l (17 galones) por minuto.
2. Tubería de subida con un diámetro mínimo de 3,18 cm (1-1/4").
3. La altura de la tubería de subida por encima del suelo deberá ser:
Altura mínima: 84 cm (33")
Altura máxima: 244 cm (96")



NOTA

Para instalaciones que precisen una manguera de desagüe más larga, recurra a un técnico cualificado para instalar una manguera de desagüe más larga (según su número de modelo) disponible en distribuidores de recambios autorizados. Para sistemas de desagüe en el suelo, instale un kit de interruptor de sifón disponible en su ferretería local.



Requisitos del sistema de extracción

Utilice solo conducto metálico rígido o flexible de 102 mm (4 pulgadas) de diámetro y campana de ventilación aprobada con registro(es) giratorios que se abren cuando la secadora está en funcionamiento. Al detenerse la secadora, los registros se cierran automáticamente para evitar corrientes y la entrada de insectos y roedores. Para evitar limitar el flujo de salida, mantenga un espacio mínimo de 30,5 cm (12 pulgadas) entre la campana de ventilación y el suelo o cualquier otra obstrucción.



ADVERTENCIA

PELIGRO DE INCENDIO

No seguir estas instrucciones puede aumentar los tiempos de secado y producir riesgo de incendio.

A continuación se detallan los requisitos específicos para el funcionamiento correcto y seguro de su secadora.

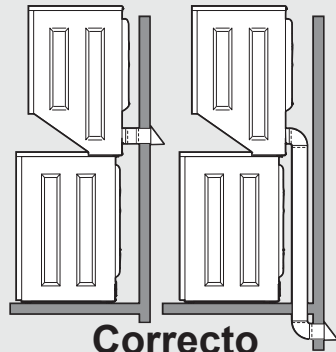


ADVERTENCIA

PELIGRO DE INCENDIO

NO instale una secadora de ropa con materiales de ventilación de lámina de metal o de plástico flexible. Es sabido que los materiales de ventilación flexibles se desmoronan, se aplastan fácilmente y atrapan pelusa. Estas condiciones obstruyen el flujo de aire en la secadora de ropa y aumentan el riesgo de incendio.

Si su sistema actual está realizado con conducto de plástico o de hoja metálica, sustitúyalo por conducto metálico rígido o semirrígido. Compruebe también que el conducto actual esté libre de pelusas antes de instalar el conducto de la secadora.



REQUISITOS PARA LA INSTALACIÓN



ADVERTENCIA

PELIGRO DE INCENDIO

La secadora de ropa debe tener extracción al exterior. NO evacue la secadora a una chimenea, pared, techo, ático, cámara inferior u otro espacio oculto de un edificio. Una secadora de ropa produce pelusa combustible. Si la secadora no evacua al exterior, algo de pelusa fina pasará al área de lavado. La acumulación de pelusa en cualquier área del hogar puede constituir un riesgo para la salud y de incendio.

La secadora deberá estar conectada a una extracción exterior. **Antes de instalar su secadora nueva**, inspeccione la abertura de la extracción exterior y retire cualquier posible acumulación de pelusa alrededor de la abertura y en el área cercana.



ADVERTENCIA

PELIGRO DE INCENDIO

No respetar estrictamente las advertencias de seguridad puede provocar lesiones graves, muerte o daños en la propiedad.

NO instale un ventilador de refuerzo en el conducto de extracción.

Instale LA secadora de ropa de conformidad con las instrucciones de instalación de este manual.



ADVERTENCIA

PELIGRO DE INCENDIO

- NO permita que materiales combustibles (por ejemplo: prendas, visillos/cortinas, papel) entren en contacto con el sistema de extracción. La extracción de la secadora NO DEBERA ser a una chimenea, pared, techo u otro espacio oculto de un edificio, ya que puede acumularse pelusa con el consiguiente riesgo de incendio.
- NO proteja los extremos de extracción del sistema de ventilación ni utilice tornillos, remaches u otros cierres que lleguen al interior del conducto para montar el sistema de extracción. **Ninguna protección, rejilla, o guardia independientemente del tamaño de malla, debe cubrir la abertura de salida de aire. Es posible que quede pelusa atrapada en la protección, la rejilla, la guardia, los tornillos o remaches, atascando el conducto y creando peligro de incendio, además de prolongar los tiempos de secado.** Utilice una campana de ventilación autorizada como terminación exterior del conducto y selle todas las juntas con cinta metálica. Todos los equipos con tubería macho DEBERAN instalarse hacia la descarga del flujo de aire.



ADVERTENCIA

PELIGRO DE INCENDIO

Superar la longitud de la tubería o el número de codos permitido en las tablas "LONGITUD MÁXIMA" puede provocar acumulación de pelusa en el sistema de extracción. Taponar el sistema puede crear riesgo de incendio y aumentar los tiempos de secado.

Número de vueltas de 90°	LONGITUD MÁXIMA de 102 mm (4") conducto metálico rígido		
	TIPO DE CAMPANA DE VENTILACIÓN		
	(Preferido)		
	 10,2 cm (4")	de listones	 6,35 cm (2,5")
0	17 m (56 pies)		13 m (42 pies)
1	14,5 m (48 pies)		10,5 m (34 pies)
2	12 m (40 pies)		8 m (26 pies)
3	9,5 m (32 pies)		5,5 m (18 pies)

REQUISITOS PARA LA INSTALACIÓN



ADVERTENCIA

PELIGRO DE INCENDIO

- NO instale material de ventilación de lámina de aluminio flexible o de plástico flexible.
- Si instala un conducto de ventilación semirrígido, NO supere los 8 pies (2,4 m) de longitud.



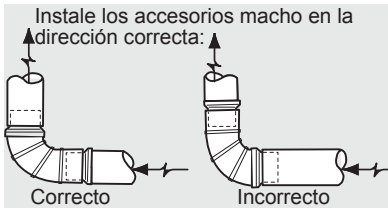
ADVERTENCIA

PELIGRO DE INCENDIO

- No respetar estrictamente las advertencias de seguridad puede provocar lesiones graves, muerte o daños en las propiedades.
- NO instale un ventilador de refuerzo en el conducto de extracción de la secadora.
- Instale la secadora de ropa de conformidad con las instrucciones de instalación de este manual.

Aunque es aceptable una orientación vertical del sistema de extracción, determinadas circunstancias podrían llegar a afectar el rendimiento de la secadora.

- Debería utilizarse solamente conducto metálico rígido.
- Ventilar verticalmente a través de un tejado puede exponer el sistema de extracción a corrientes hacia abajo, lo que aumentaría la restricción de la ventilación.
- Hacer funcionar el sistema de extracción a través de un área sin aislamiento puede provocar condensación y una acumulación más rápida de pelusa.
- La compresión o apretado del sistema de extracción provocará un aumento en la restricción de la ventilación.
- El sistema de extracción deberá inspeccionarse y limpiarse al menos cada 18 meses de uso normal. Cuanto más se utilice la secadora, mayor deberá ser la frecuencia de inspección del funcionamiento del sistema de extracción y de la campana de ventilación.



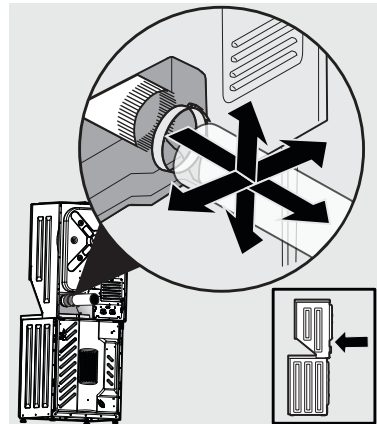
Dirección de la extracción

La extracción del centro de lavado puede ser de cuatro (4) maneras con instalación a ras posterior:

1. Recto atrás
2. Abajo (20,3 cm [8 pulgadas] de longitud de diámetro de 102 mm [4 pulgadas] de conducto rígido y 1 codo abajo)
3. Izquierda (20,3 cm [8 pulgadas] de longitud de diámetro de 102 mm [4 pulgadas] de conducto rígido, 1 codo abajo y 1 codo izquierda)
4. Derecha (20,3 cm [8 pulgadas] de longitud de diámetro de 102 mm [4 pulgadas] de conducto rígido, 1 codo abajo y 1 codo derecha)

En instalaciones en las que los gráficos no describan el sistema de extracción, deberá utilizarse el siguiente método para determinar si el sistema de extracción es aceptable:

1. Conecte un manómetro inclinado o digital entre la secadora y el punto en el que la extracción se conecta a la secadora.
2. Ajuste el temporizador y temperatura de la secadora a secado por aire (enfriado) y ponga la secadora en funcionamiento.
3. Lea la medición en el manómetro.
4. **La contrapresión del sistema NO DEBERÁ ser superior a 0,6 pulgadas de la columna de agua. Si la contrapresión del sistema es inferior a 0,6 pulgadas de la columna de agua, el sistema es aceptable. Si la lectura del manómetro es superior a 0,6 pulgadas de la columna de agua, el sistema es demasiado restrictivo y la instalación es inaceptable.**



REQUISITOS PARA LA INSTALACIÓN

Es posible instalar una campana de extracción alineada con la extracción de la secadora directamente al otro lado de la pared exterior. Para que la extracción sea a un lado o abajo, añada un tramo de 20,3 cm (8 pulgadas) de conducto estándar de 102 mm (4 pulgadas) de diámetro y un codo de 90°.

Para que la extracción sea hacia arriba, añada un tramo de 28 cm (11 pulgadas) de conducto estándar de 102 mm (4 pulgadas) de diámetro y un codo de 90°. La unidad se colocará a alrededor de 11,5 cm (4,5 pulgadas) de la pared (la extracción puede realizarse al ras de la pared yendo debajo de la secadora y después a un lado).

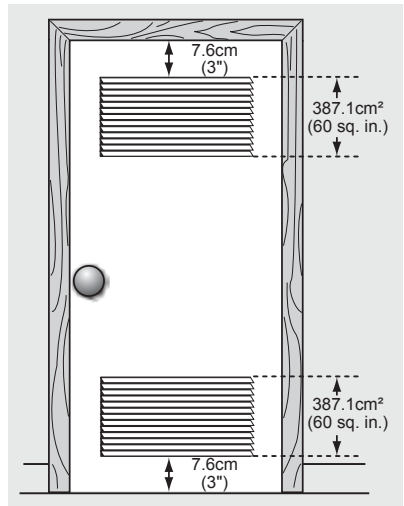
Véase también *Requisitos de holgura* en estas instrucciones.

Instalación en viviendas prefabricadas o móviles

1. La instalación DEBERÁ cumplir la actual norma Manufactured Home Construction & Safety Standard, Título 24 CFR Parte 3280 (antes Federal Standard for Mobile Home Construction and Safety, Título 24, HUD Parte 280) o la norma Standard CAN/CSA-Z240 MH.
2. La secadora DEBERÁ tener extracción al exterior (fuera, no debajo de la vivienda móvil) utilizando conductos de metal resistentes a la combustión. El conducto metálico deberá tener 10,16 cm (4 pulgadas) de diámetro sin obstrucciones. Es preferible un conducto de metal rígido. Los conductos de extracción deberán estar bien sujetos a una parte no combustible de la estructura de la vivienda móvil.
3. Si la secadora realiza la extracción a través del suelo y el área bajo la vivienda móvil es cerrada, el sistema de extracción DEBERÁ terminar fuera del área cerrada con la terminación firmemente fijada a la estructura de la vivienda móvil.
4. Consulte las secciones anteriores de esta guía para conocer otros requisitos importantes del sistema de ventilación de extracción.
5. Al instalar una secadora de gas en una vivienda móvil, debe hacerse provisión de entrada de aire exterior. Esta provisión no deberá ser inferior al doble del área de la salida de extracción de la secadora.
6. El instalador DEBERÁ anclar el centro de lavado al suelo con el Kit de instalación para viviendas móviles N/P 137067200.

Instalación en nicho o armario

1. Una secadora instalada en un dormitorio, baño, nicho o armario DEBERÁ tener salida al exterior.
2. No se instalará ningún otro aparato quemador de combustible en el mismo armario que la secadora de gas.
3. Su secadora necesita el espacio alrededor para una adecuada ventilación.
4. NO instale su secadora en un armario con puerta maciza.
5. Ventilación necesaria para la puerta del armario: Se precisa una abertura mínima de 774,2 cm² (120 pulgadas cuadradas), dividida por igual en la parte superior e inferior de la puerta. Las aberturas estarán situadas a 7,6 cm (3 pulgadas) de la parte inferior y superior de la puerta. Si se instala una puerta, deberá tener aberturas sin obstrucciones. Es aceptable una puerta de listones con aberturas de aire equivalentes para toda la longitud de la puerta.



puerta de armario

REQUISITOS PARA LA INSTALACIÓN

Requisitos de holgura

HOLGURAS MÍNIMAS PARA LA INSTALACIÓN - Pulgadas (cm)				
	LATERALES	POSTERIOR	SUPERIOR	FRONTAL
Huevo	0 cm (0")	0 cm (0")	2,5 cm (1")	n/d
Armario	0 cm (0")	0 cm (0")	2,5 cm (1")	2,5 cm (1")



ADVERTENCIA

PELIGRO DE EXPLOSIÓN

NO instale el centro de lavado en un lugar donde se almacene o guarde gasolina u otros productos inflamables. Si el centro de lavado se instala en un garaje, la parte de secadora deberá estar a un mínimo de 45,7 cm (18 pulgadas) sobre el suelo. Lo contrario puede provocar la muerte, explosión, incendio o quemaduras.

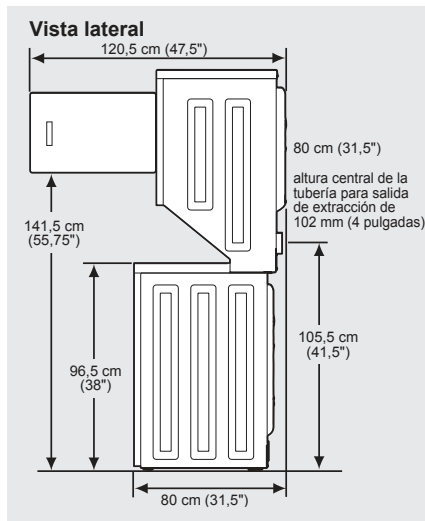
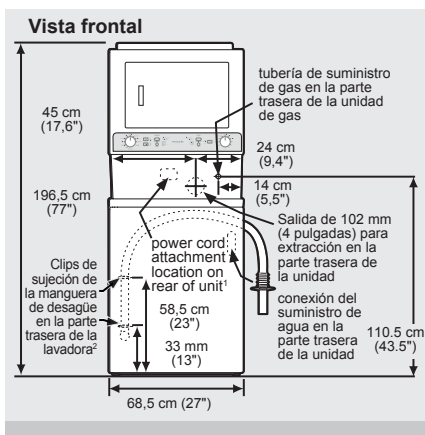


IMPORTANTE

NO INSTALE SU CENTRO DE LAVADO:

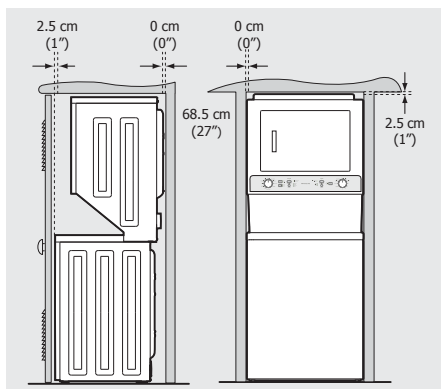
- En un área expuesta a goteo de agua o a las condiciones atmosféricas del exterior. La temperatura ambiente nunca deberá ser inferior a 15,6° C (60° F) para maximizar la efectividad del detergente.
- En un área en la que entre en contacto con cortinas, visillos o cualquier cosa que obstruya el flujo del aire de combustión y ventilación.
- Sobre moqueta o alfombra. El suelo DEBERÁ ser sólido con una pendiente máxima de a 2,5 cm (1 pulgad). Para minimizar la vibración o movimiento puede ser necesario reforzar el suelo.

Dimensiones del centro de lavado



¹ Longitud del cable de alimentación de la unidad de gas de aproximadamente 152,5 cm (60 pulgadas).

² Longitud de la manguera de desagüe suelta más allá de la abrazadera aproximadamente 131 cm (51,5 pulgadas).



REQUISITOS PARA LA INSTALACIÓN

Instalación eléctrica

A continuación se detallan los requisitos específicos para la instalación eléctrica correcta y segura de su secadora. No seguir estas instrucciones puede crear riesgos de descarga eléctrica y/o incendio.



ADVERTENCIA

PELIGRO DE DESCARGA ELÉCTRICA

- Este aparato DEBERÁ estar adecuadamente conectado a tierra. La falta de una adecuada conexión a tierra puede provocar descargas eléctricas. Siga las instrucciones de este manual para realizar una adecuada conexión a tierra.
- NO utilice cables alargadores con esta secadora. Algunos cables alargadores no están diseñados para soportar las cantidades de corriente eléctrica que utiliza esta secadora y pueden fundirse, produciendo un peligro de descarga eléctrica y/o incendio. Sitúe la secadora al alcance de la toma de corriente con la longitud del cable de alimentación que adquiera, dejando un poco de holgura. Consulte los requisitos previos a la instalación en este manual para conocer el cable adecuado que adquirir.



ADVERTENCIA

PELIGRO DE DESCARGA ELÉCTRICA

- Deberá instalarse un aprietacable con homologación U.L. en el cable de alimentación. De no instalarse el aprietacable, el cable puede desenchufarse de la secadora y cortarse por el movimiento del cable, lo que produciría una descarga eléctrica.
- NO utilice una toma con hilos de aluminio con cable de alimentación y enchufe con hilos de cobre (ni viceversa). La reacción química entre el cobre y el aluminio puede provocar cortocircuitos. La combinación adecuada es un cable de alimentación con hilos de cobre y una toma con hilos de cobre.



NOTA

Las secadoras con fuente de alimentación de 208 voltios tienen tiempos de secado más largos que las que tienen fuente de alimentación de 240 voltios.

Requisitos de conexión a tierra - Secadora eléctrica (EE. UU.)



ADVERTENCIA

Una inadecuada conexión a tierra en el centro de lavado puede provocar lesiones graves o la muerte. Consulte a un electricista cualificado en caso de duda sobre si el aparato está adecuadamente conectado a tierra.

Para una secadora con conexión a tierra y conectada con cable:

1. La secadora DEBERÁ estar conectada a tierra. En caso de fallo o avería, la conexión a tierra reducirá el riesgo de descarga eléctrica mediante una vía de menor resistencia para la corriente eléctrica.
2. Después de comprar e instalar un cable eléctrico de tres o cuatro hilos, con conductor de conexión a tierra del equipo y enchufe con conexión a tierra adecuado para su sistema de cableado, el enchufe DEBERÁ enchufarse a una toma de corriente adecuada con hilos de cobre, debidamente instalada y conectada a tierra de acuerdo con todos los códigos y ordenanzas locales. En caso de duda, póngase en contacto con un electricista cualificado.
3. NO modifique el enchufe que ha instalado en este aparato. Si no se adapta a la toma de corriente, haga que un electricista cualificado instale una toma adecuada.

Para una secadora con conexión permanente:

La secadora DEBERÁ estar conectada a un sistema de cableado permanente de metal con conexión a tierra, o bien deberá utilizarse un conductor de conexión a tierra para el equipo con los conductores de circuitos y conectarse a la terminal de conexión a tierra del equipo o cable del aparato.

REQUISITOS PARA LA INSTALACIÓN

Requisitos de conexión a tierra - Secadora eléctrica (Canadá)



ADVERTENCIA

Una inadecuada conexión a tierra en el centro de lavado puede provocar lesiones graves o la muerte. Consulte a un electricista cualificado en caso de duda sobre si el aparato está adecuadamente conectado a tierra.

Para una secadora con conexión a tierra y conectada con cable:

1. El centro de lavado DEBERÁ estar conectado a tierra. En caso de fallo o avería, la conexión a tierra reducirá el riesgo de descarga eléctrica mediante una vía de menor resistencia para la corriente eléctrica.
2. Como su centro de lavado está equipado con cable eléctrico con conductor de conexión de equipos a tierra y enchufe con conexión a tierra, el enchufe deberá enchufarse a una toma de corriente adecuada, debidamente instalada y conectada a tierra de acuerdo con todos los códigos y ordenanzas locales. En caso de duda, póngase en contacto con un electricista cualificado.
3. NO modifique el enchufe suministrado con este aparato. Si no se adapta a la toma de corriente, haga que un electricista cualificado instale una toma adecuada.

Requisitos de conexión a tierra - Secadora de gas (EE. UU. y Canadá)



ADVERTENCIA

Una inadecuada conexión a tierra en el centro de lavado puede provocar lesiones graves o la muerte. Consulte a un electricista cualificado en caso de duda sobre si el aparato está adecuadamente conectado a tierra.

Tomacorriente de pared con conexión a tierra



Bajo ninguna circunstancia corte, extraiga o desvíe las patas de conexión a tierra.



Cable de alimentación con enchufe de tres patas con conexión a tierra

1. El centro de lavado está equipado con un enchufe de tres clavijas (con conexión a tierra) para su protección contra riesgos eléctricos y deberá enchufarse directamente en una toma eléctrica adecuada con conexión a tierra.
2. El enchufe deberá conectarse a una toma adecuada debidamente instalada y con conexión a tierra de conformidad con todos los códigos y ordenanzas locales. En caso de duda, póngase en contacto con un electricista cualificado.
3. NO modifique el enchufe suministrado con este aparato. Si no se adapta a la toma de corriente, haga que un electricista cualificado instale una toma adecuada.

DESEMBALAJE DEL CENTRO DE LAVADO

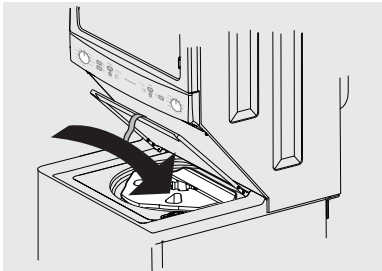
Instrucciones de desembalaje



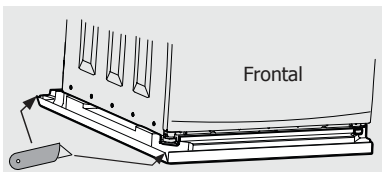
IMPORTANTE

Para evitar vibraciones y posibles daños en la máquina y para maximizar el rendimiento, deberán llevarse a cabo los siguientes procedimientos.

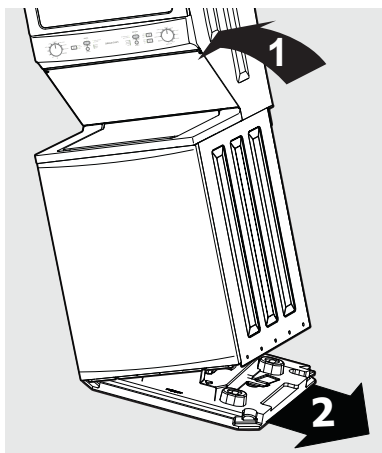
1. Si se ha retirado el bloque de espuma de la cuba, vuelva a insertarlo ahora y cierre bien la tapa con cinta.



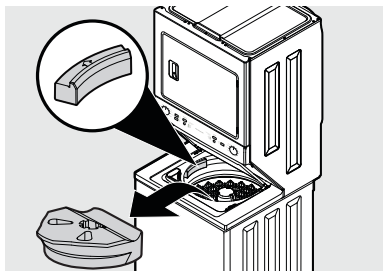
2. Corte cuidadosamente las esquinas delantera y trasera del lado izquierdo del cartón restante.



3. Con ayuda de otra persona, incline con cuidado el centro de lavado hacia la izquierda según se muestra en la siguiente imagen. Retire el soporte de goma para transporte de la base de la unidad. Guarde la espuma de embalaje para utilizarla en otro momento.



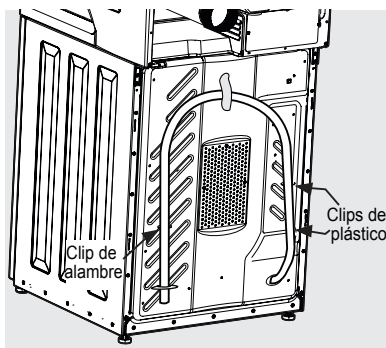
4. Baje con cuidado el centro de lavado a una posición vertical y retire la cinta que mantiene cerrada la tapa. Retire el bloque de espuma de la cuba, todas las piezas de espuma y el resto de contenido de la cuba.



NOTA

Si el centro de lavado va a transportarse posteriormente, conserve la almohadilla de bloqueo de la cuba, la base de espuma y el soporte de la cuba.

5. Desde la parte posterior de la lavadora, retire los clips de los alambres de embalaje que protegen la manguera de desagüe.
6. NO retire los CLIPS DE PLÁSTICO que protegen la manguera de desagüe a la derecha de la lámina posterior de la lavadora. Ayuda a formar una tubería vertical que evita el efecto sifón.



7. Mueva con cuidado el centro de lavado a menos de 35 cm de la ubicación final para comenzar la instalación.



PRECAUCIÓN

PELIGRO DE PESO EXCESIVO

Para evitar lesiones en la espalda o de otro tipo, el aparato debe ser levantado o trasladado por más de una persona.

INSTRUCCIONES DE INSTALACIÓN

Conexión del gas

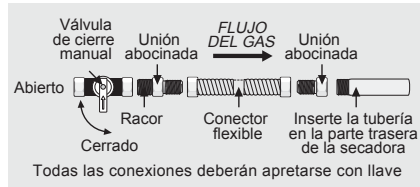
1. Retire la tapa para el transporte de la tubería de gas de la parte trasera de la secadora.



IMPORTANTE

NO conecte la secadora al servicio de gas L.P. sin convertir la válvula de gas. Haga que un técnico de gas cualificado instale un kit de conversión para L.P.

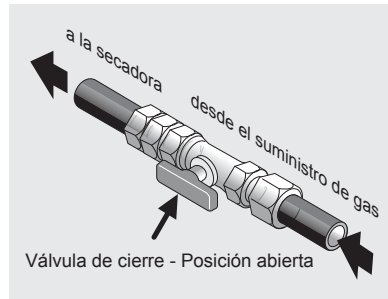
2. Conecte una tubería I.D. semirrígida u homologada de 1,27 cm (1/2 pulgada) desde el conducto de suministro de gas a la tubería de 0,96 cm (3/8 de pulgada) situada en la parte posterior de la secadora. Utilice un reductor de 1,27 cm a 0,96 cm (1/2 pulgada a 3/8 de pulgada) para la conexión. Aplique un sellador de rosca aprobado resistente a la acción corrosiva de los gases licuados en todas las conexiones de tuberías.



IMPORTANTE

El conducto de suministro deberá estar equipado con una válvula de cierre manual. Esta válvula deberá estar ubicada en la misma habitación que la secadora y deberá estar en una ubicación que facilite su apertura y cierre. NO bloquee el acceso a la válvula de cierre del gas.

3. Abra la válvula de cierre del conducto de suministro de gas para que el gas fluya por la tubería. Espere unos minutos a que el gas se mueva por el conducto de gas.



4. Compruebe si hay pérdidas de gas con un manómetro. Si no dispone de manómetro, compruebe todas las conexiones con una solución de agua jabonosa.



ADVERTENCIA

PELIGRO DE EXPLOSIÓN

EN NINGÚN CASO compruebe si hay pérdidas de gas con una llama abierta.

INSTRUCCIONES DE INSTALACIÓN

Conexión eléctrica (no Canadá) - cable de 3 hilos



Toma de 3 hilos
(NEMA tipo 10-30R)

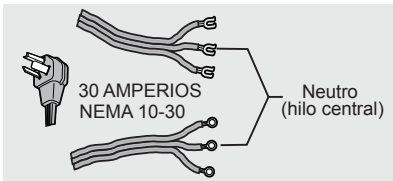


ADVERTENCIA

PELIGRO DE DESCARGA ELÉCTRICA

No desconectar la fuente de alimentación antes de realizar tareas de servicio puede provocar lesiones personales o incluso la muerte.

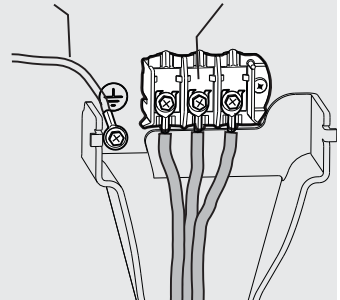
1. Desconecte la fuente de alimentación de la salida.
2. Retire el tornillo que fija la cubierta de acceso a la regleta de bornas de la parte posterior de la secadora.
3. Instale un aprietacable con homologación UL siguiendo las instrucciones del fabricante del cable de alimentación/ aprietacable en el orificio de entrada del cable de alimentación bajo el panel de acceso. De momento, el aprietacable deberá quedar colocado sin apretar.
4. Ensarte un cable de alimentación de 30 amperios con homologación UL, NO CONECTADO A LA RED, NEMA 10-30 tipo SRDT por el aprietacable.



5. Conecte el conductor neutro (hilo central) del cable de alimentación al terminal central de color PLATA en la regleta de bornas. Apriete bien el tornillo.
6. Conecte los dos conductores exteriores restantes del cable de alimentación a los terminales exteriores de color COBRE de la regleta de bornas. Apriete bien los dos tornillos.

¡¡NO quite la conexión a tierra interna en un sistema de 3 conectores!!

Terminal neutro



ADVERTENCIA

PELIGRO DE DESCARGA ELÉCTRICA

NO doble excesivamente ni apriete los hilos/ conductores en las conexiones.

7. Siga las orientaciones del fabricante para fijar bien el aprietacable y el cable de alimentación.
8. Vuelva a instalar la cubierta de la regleta de bornas.



IMPORTANTE

Si traslada la secadora de un sistema de 4 hilos para instalarlo en un sistema de 3 hilos, ponga el hilo de tierra interior del terminal central en el tornillo VERDE junto a la regleta de bornas.

INSTRUCCIONES DE INSTALACIÓN

Conexión eléctrica (no Canadá) - cable de 4 hilos



Toma de 4 hilos
(NEMA tipo 14-30R)

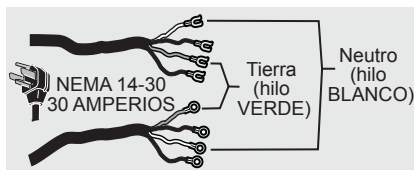


ADVERTENCIA

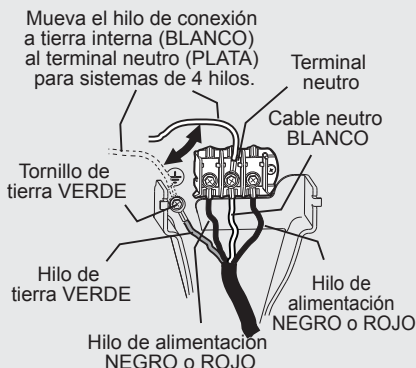
PELIGRO DE DESCARGA ELÉCTRICA

No desconectar la fuente de alimentación antes de realizar tareas de servicio puede provocar lesiones personales o incluso la muerte.

1. Desconecte la fuente de alimentación de la salida.
2. Retire el tornillo que fija la cubierta de acceso a la regleta de bornas de la parte posterior de la secadora.
3. Instale un aprietacable con homologación UL siguiendo las instrucciones del fabricante del cable de alimentación/aprietacable en el orificio de entrada del cable de alimentación bajo el panel de acceso. De momento, el aprietacable deberá quedar colocado sin apretar.
4. Ensarte un cable de alimentación de 30 amperios con homologación UL, NO CONECTADO A LA RED, NEMA 14-30 tipo DRT o SRDT por el aprietacable.



5. Desconecte el hilo de tierra interior (BLANCO) del mazo de la secadora del tornillo de tierra (VERDE) junto a la regleta de bornas.
6. Conecte el hilo de tierra (VERDE) del cable de alimentación al armario con el tornillo de tierra (VERDE). Apriete bien el tornillo.
7. Mueva el hilo de tierra interior (BLANCO) del mazo de la secadora y conéctelo junto con el hilo conductor neutro (BLANCO) del cable de alimentación al terminal central de color PLATA de la regleta de bornas. Apriete bien el tornillo.
8. Conecte los conductores ROJO y NEGRO del cable de alimentación a los terminales exteriores de color COBRE de la regleta de bornas. Apriete bien los dos tornillos.



ADVERTENCIA

PELIGRO DE DESCARGA ELÉCTRICA

NO doble excesivamente ni apriete los hilos/conductores en las conexiones.

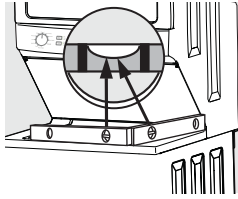
9. Siga las orientaciones del fabricante para fijar bien el aprietacable y el cable de alimentación.
10. Vuelva a instalar la regleta de bornas.

INSTRUCCIONES DE INSTALACIÓN

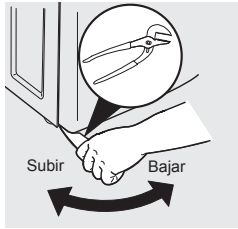
Nivelación de su centro de lavado

Es posible evitar un ruido y vibración excesivos nivelando correctamente el centro de lavado.

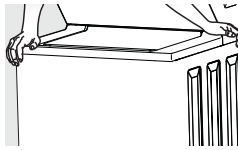
1. Con el centro de lavado a menos de 4 pies (1 metro) de su ubicación permanente, coloque un nivel sobre la tapa de la lavadora.



2. Utilice alicates ajustables para ajustar las patas de nivelación de modo que el centro de lavado esté nivelado desde delante hacia detrás y de lado a lado, y estable de esquina a esquina.



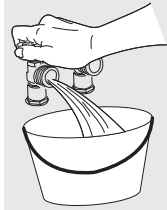
3. Presione hacia abajo en distintas esquinas y lados para comprobar si existe el menor movimiento.



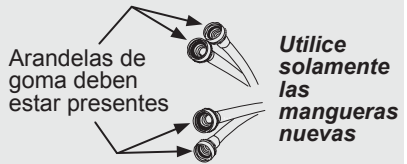
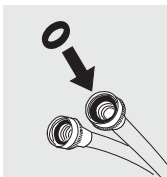
Ajuste la(s) pata(s) correspondiente(s) de modo que el centro de lavado quede bien apoyado sobre LAS CUATRO patas. Mantenga al mínimo la extensión de la pata de nivelación para conseguir el mejor resultado de la lavadora.

Conexión de la entrada de agua

1. Haga correr agua de las llaves de agua caliente y fría para vaciar las tuberías y eliminar partículas que podrían atascar los filtros de la válvula de agua y para determinar cuál es la llave de agua caliente y de fría.



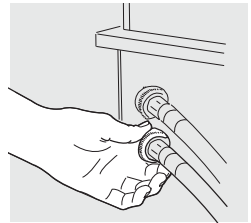
2. Compruebe que las arandelas de goma de las mangueras de entrada estén bien colocadas.



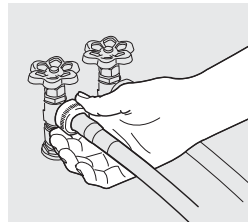
NOTA

El precio del centro de lavado no incluye mangueras. Consulte la sección "Accesorios" para ver los distintos kits de mangueras de entrada adecuados a su instalación concreta.

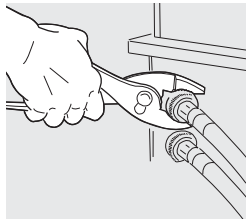
3. Conecte la manguera de entrada CALIENTE a la conexión de entrada CALIENTE y la manguera de entrada FRÍA a la conexión de entrada FRÍA de la lavadora. Apriete a mano hasta que queden bien ajustadas. A continuación apriete cada conexión de suministro otros 2/3 de vuelta con los alicates. **NO fuerce la rosca ni apriete excesivamente estas conexiones.**



4. Conecte la manguera de entrada CALIENTE al suministro de agua CALIENTE y la manguera de entrada FRÍA al suministro de agua FRÍA. Apriete a mano hasta que queden bien ajustadas.



5. Apriete cada conexión de suministro otros 2/3 de vuelta con los alicates. **NO doble, dañe ni pince las mangueras de entrada de agua.**

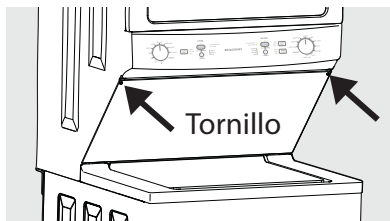


6. Abra el agua y compruebe si hay pérdidas.

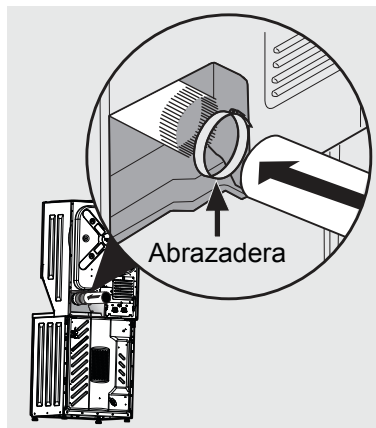
INSTRUCCIONES DE INSTALACIÓN

Conexión de la ventilación

1. Retire los dos tornillos que fijan el panel de acceso delantero de la secadora al armario de la secadora. Levante el panel hasta que pueda soltar las pestañas del armario, retire el panel y déjelo a un lado.

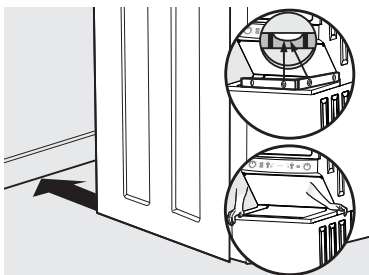


2. Conecte el conducto de extracción al sistema de extracción exterior. Se recomienda utilizar una abrazadera de 10,2 cm (4") para conectar la secadora al sistema de ventilación de salida. Utilice cinta de aluminio para sellar todas las demás juntas.



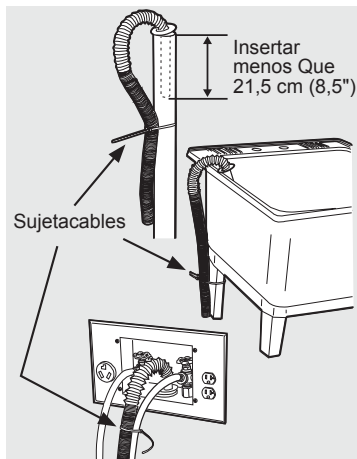
3. Vuelva a colocar el sistema de acceso delantero de la secadora.

4. Deslice cuidadosamente el centro de lavado en su posición definitiva. Vuelva a comprobar el nivel y empuje esquinas para comprobar la estabilidad.



Conexión de desagüe y eléctrica

1. Haga una forma de "U" en el extremo de la manguera de desagüe con la manguera apuntando hacia el desagüe. Coloque el extremo a que ha dado forma en una cuba de lavado o en una tubería vertical y fije la manguera de desagüe con la brida para cables (incluida en el paquete del conjunto) a la tubería vertical, manguera de entrada, cuba de lavado, etc. de modo que la manguera no se suelte por la fuerza del agua.



NOTA

El diámetro interior de la tubería vertical deberá ser de al menos 3,2 cm (1-1/4"). Deberá haber una holgura entre la manguera de desagüe y la tubería vertical. Una manguera apretada puede provocar efecto de sifón.



ADVERTENCIA

PELIGRO DE DESCARGA ELÉCTRICA

Determinadas piezas internas no han sido conectadas a tierra deliberadamente y pueden presentar riesgo de descarga eléctrica si se tocan durante la instalación. No toque las siguientes piezas mientras el electrodoméstico está activado eléctricamente:

- Bomba
- Motor de accionamiento
- Placas de control electrónico
- Válvulas de agua

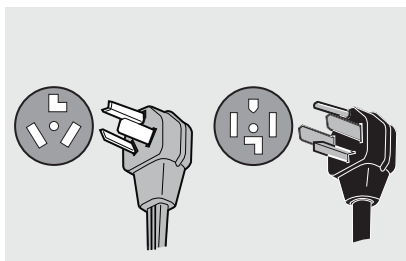
INSTRUCCIONES DE INSTALACIÓN



IMPORTANTE

Compruebe que no haya corriente en un disyuntor/caja de fusibles antes de enchufar el cable en una toma de corriente.

2. Enchufe el cable eléctrico a una toma de corriente conectada a tierra.



ADVERTENCIA

Una inadecuada conexión a tierra en la secadora puede provocar lesiones graves o la muerte. Consulte a un electricista cualificado en caso de duda sobre si el aparato está adecuadamente conectado a tierra.

Tomacorriente de pared con conexión a tierra

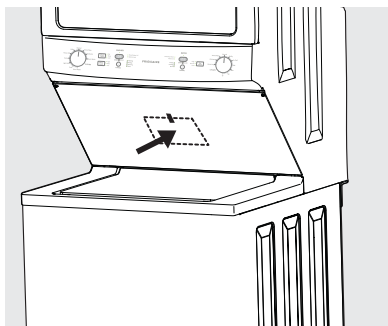


Bajo ninguna circunstancia corte, extraiga o desvíe las patas de conexión a tierra.

Cable de alimentación con enchufe de tres patas con conexión a tierra

3. Encienda el interruptor del disyuntor/caja de fusibles.
4. Consulte la *Guía de uso y mantenimiento* que se entrega con el centro de lavado. Contiene valiosa información útil que le ahorrará tiempo y dinero.
5. Haga funcionar la lavadora durante un ciclo completo comprobando si hay pérdidas de agua y si todo funciona correctamente.

6. Si tiene alguna pregunta durante la primera puesta en funcionamiento, repase la "*Lista de comprobación para evitar llamadas al servicio técnico*" en su *Guía de uso y mantenimiento* antes de solicitar asistencia técnica.
7. Guarde estas instrucciones cerca del aparato para futuras consultas.



NOTA

Encontrará un diagrama de cableado y una hoja de datos técnicos detrás del panel de acceso posterior de la secadora.



ADVERTENCIA

Al deshacerse o almacenar su centro de lavado viejo, retire SIEMPRE las puertas de la lavadora y secadora.

ACCESORIOS Y PIEZAS DE REPUESTO

Accesorios

KIT DE CONVERSIÓN PL N/P PCK3100

Las secadoras de gas previstas para utilizar en una ubicación con suministro de LP deberán utilizar un kit de conversión antes de la instalación.

KIT DE INSTALACIÓN EN VIVIENDAS MÓVILES N/P 137067200

La instalación en una vivienda móvil precisa el uso de un KIT DE INSTALACIÓN EN VIVIENDAS MÓVILES.

KITS DE MANGUERA DE ENTRADA

Llame al 866-233-8353 (en Canadá, 800-265-8352) para conocer los kits opcionales adecuados para sus necesidades de instalación concretas.

ROTULADORES DE PINTURA DE RETOQUE*

Rotulador de retoque clásico blanco -
N/P 5304468812

Rotulador de retoque clásico pizarra -
N/P 5304475700

*Puede haber otros colores disponibles.
Contacte con el establecimiento donde adquirió su centro de lavado.

Piezas de repuesto:

Si precisa recambios para su centro de lavado, póngase en contacto con el establecimiento donde adquirió su centro de lavado o consulte la Guía de uso y mantenimiento para obtener más información.



PRECAUCIÓN

Si no utiliza accesorios fabricados o autorizados por el fabricante, pueden producirse lesiones personales y daños en la propiedad o en la lavadora.

FRIGIDAIRE®

Tout à propos de

Installation

de votre combinaison
laveuse/sécheuse



TABLE DES MATIÈRES

Consignes de sécurité importantes	2	Instructions d'installation	14
Exigences d'installation	4	Accessoires et pièces de rechange	20
Déballage de la combinaison laveuse/sécheuse	13		

CONSIGNES DE SÉCURITÉ IMPORTANTES



AVERTISSEMENT

Pour votre sécurité, les informations contenues dans ce guide doivent être suivies afin de réduire les risques d'incendie ou d'explosion ou pour prévenir les dommages matériels, les blessures ou la mort. Conservez ces instructions




AVERTISSEMENT - RISQUE D'INCENDIE

- Assurez-vous que tout le système d'évacuation de la sècheuse est propre et exempt de peluches et de débris avant l'installation de votre nouvelle laveuse/sècheuse. Tout le système d'évacuation doit être inspecté et nettoyé au moins tous les 18 mois dans des conditions normales d'utilisation. Le non-respect des consignes de nettoyage de votre système d'échappement augmentera le RISQUE d'INCENDIE.
- N'INSTALLEZ PAS une sècheuse de linge avec du matériel de ventilation en plastique flexible ou en feuille souple. Les matériaux de ventilation flexibles sont connus pour s'effondrer, être facilement écrasés et emprisonner les peluches. Ces conditions pourraient bloquer l'écoulement de l'air de votre sècheuse et accroître les risques d'incendie.
- NE PLACEZ PAS DE GRILLAGE aux extrémités du système d'évacuation et n'utilisez pas de vis, de rivet ou autre fixation pénétrant dans la conduite afin de rallonger le système. L'ouverture d'évacuation de l'air NE doit jamais être couverte par une grille ou une crépine de quelque taille que ce soit.
- Installez la laveuse/sècheuse selon les instructions du fabricant et les codes locaux en vigueur.
- L'installation et l'entretien de cette laveuse/sècheuse doivent être effectués par un agent d'installation et d'entretien qualifié, ou par le fournisseur de gaz.
- Le service électrique de la sècheuse doit être en conformité avec tous les codes et règlements locaux en vigueur et à la dernière édition du Code national de l'électricité, ANSI / NFPA 70, ou au Canada, au Code canadien de l'électricité CSA C22.1 partie 1.
- Le service de gaz de la sècheuse doit être en conformité avec tous les codes et règlements locaux en vigueur et à la dernière édition du Code national du gaz combustible, ANSI Z223.1/NFPA 54, ou au Canada, au Code d'installation du gaz naturel et du propane CSA B149.1. Une vanne d'arrêt manuel doit être installée à moins de 6 pieds (1,83 m) de la sècheuse conformément au Code national du gaz combustible, ANSI Z223.1/NFPA 54.
- La laveuse/sècheuse est conçue selon les normes ANSI Z21.5.1 / CSA 7.1 ou UL 2158 - CAN / CSA C22.2 n° 112 (dernières éditions) pour usage domestique seulement. Il est déconseillé d'utiliser cette laveuse/sècheuse à des fins commerciales, en l'occurrence dans les restaurants, salons de beauté, etc.
- Détruisez les cartons et les sacs en plastique après le déballage du système de lavage. Les enfants pourraient les utiliser pour jouer. Le carton recouvert de tapis, les couvre-lits et les feuilles de plastique peuvent former des chambres étanches à l'air et provoquer un étouffement. Déposez tous les matériaux d'emballage dans un conteneur à ordures ou évitez que les enfants ne puissent y accéder.

Les instructions dans le présent manuel et toutes autres instructions incluses avec cette sècheuse ne couvrent pas de façon exhaustive toutes les situations possibles. Faire preuve de bonnes pratiques sécuritaires et de prudence lors de l'installation, l'utilisation et l'entretien de tout appareil ménager.

Définitions

 Ceci est le symbole d'avertissement relatif à la sécurité. Il est utilisé pour vous avertir des risques de blessures potentiels. Respectez toutes les consignes de sécurité qui suivent ce symbole afin d'éviter les blessures ou la mort.



DANGER

La mention DANGER indique un risque imminent qui pourrait causer la mort ou des blessures graves, s'il n'est pas évité.



ATTENTION

La mention ATTENTION signale la présence d'une situation potentiellement dangereuse susceptible de causer des blessures mineures ou moyennement graves si elle n'est pas évitée.



AVERTISSEMENT

La mention AVERTISSEMENT indique une situation potentiellement dangereuse qui pourrait entraîner des blessures graves ou même la mort si elle n'est pas évitée.



IMPORTANT

IMPORTANT - Cette mention précède des renseignements importants relatifs à l'installation, au fonctionnement ou à l'entretien. Toutefois, ceux-ci n'impliquent aucune notion de danger.

CONSIGNES DE SÉCURITÉ IMPORTANTES

Pour votre sécurité,

- Vous ne devez ni entreposer, ni utiliser d'essence ou d'autres liquides inflammables à proximité de cet appareil ou de tout autre appareil. Lisez les étiquettes des produits pour les avertissements concernant l'inflammabilité et autres dangers.
- N'UTILISEZ PAS l'appareil en présence de vapeurs explosives.
- Retirez tous les agrafes du carton. Les agrafes peuvent provoquer des blessures sévères et causer d'autres dégâts s'ils entrent en contact avec d'autres appareils ou des meubles.



ATTENTION

DANGER DE POIDS EXCESSIF

Pour éviter les blessures au dos ou d'autres types, demandez de l'aide pour déplacer ou soulever la laveuse/sécheuse.

Sécurité enfants

Détruisez ou recyclez le carton, les sacs en plastique et tout matériau d'emballage extérieur immédiatement après le déballage de l'appareil. Les enfants ne doivent jamais jouer avec ces matériaux d'emballage. Les cartons recouverts de tapis, de couvre-lits, de feuilles de plastique ou de film étirable peuvent devenir des chambres étanches à l'air et provoquer rapidement un étouffement.



AVERTISSEMENT

RISQUE DE DÉCHARGE ÉLECTRIQUE

Certaines pièces internes ne sont pas mises à la terre et peuvent présenter un risque de décharge électrique si elles sont touchées durant l'installation. Ne pas toucher les pièces suivantes une fois que l'appareil est mis sous tension :

- Pompe
- Moteur d'entraînement
- Panneaux de commande électronique
- Valves d'eau



Liste de vérification d'installation

Matériel d'expédition

- Le bloc de retenue en mousse (situé dans la cuve de lavage) a été enlevé et remis
- Le support d'expédition en mousse (situé en dessous de l'appareil) a été enlevé et remis

Mise à niveau

- La laveuse est au niveau latéralement et de l'avant vers l'arrière
- Les quatre coins de la caisse reposent fermement sur le plancher

Alimentation en eau

- Utilisez uniquement des tuyaux neufs et assurez-vous que les rondelles en caoutchouc sont installées
- Le tuyau d'entrée d'eau CHAUDE est raccordé au robinet d'eau CHAUDE et le tuyau d'entrée d'eau FROIDE au robinet d'eau FROIDE
- Les robinets d'eau CHAUDE et d'eau FROIDE sont ouverts
- Les raccords d'alimentation en eau ou les raccords d'arrivée d'eau de l'appareil ne présentent aucune fuite - refaire une vérification 24 heures plus tard

Tuyau de vidange

- Le tuyau vertical ou le tuyau d'évacuation à paroi est à une hauteur d'au moins de 84 cm (33 po)
- Le tuyau de vidange est fixé avec l'attache (incluse dans la cuve)

Conduit d'évacuation

- L'air circule librement, pas d'accumulation de charpie
- Le conduit rigide ou semi-rigide de 102 mm (4 po) est le plus court et le plus direct possible
- AUCUN matériau de ventilation en papier d'aluminium ou en plastique
- L'air doit être évacué à l'extérieur à l'aide d'un évent approuvé

Alimentation en gaz (sécheuse au gaz)

- Le conduit d'alimentation comporte un robinet d'arrêt manuel
- Tous les raccords sont étanchéifiés à l'aide de joints certifiés serrés à l'aide d'une clé
- Nécessaire de conversion pour système au GPL
- L'alimentation en gaz est ouverte
- Aucun raccord ne présente de fuite - vérifiez à l'aide d'eau savonneuse, n'effectuez JAMAIS cette vérification avec une flamme

CONSERVEZ CES INSTRUCTIONS POUR VOUS Y RÉFÉRER ULTÉRIEUREMENT.

EXIGENCES D'INSTALLATION



Liste de vérification d'installation (suite)

Alimentation électrique de 240 V (sècheuse électrique)

- Le cordon d'alimentation est certifié NEMA 10-30R ou 14-30R et solidement fixé sur le bornier avec toutes les vis
- Un réducteur de tension certifié est installé
- Le couvre-borne est installé avant la première mise en marche

Alimentation électrique

- Le système électrique de la maison est sous tension
- L'appareil est branché

Vérification finale

- Vous avez lu entièrement les Instructions d'installation et le Guide d'utilisation et d'entretien
- L'eau entre dans la cuve lorsqu'un cycle commence avec le couvercle baissé
- La porte de la sècheuse se verrouille et le tambour tourne lorsqu'un cycle commence
- La carte d'enregistrement est envoyée

Exigences avant l'installation

Outils et matériel nécessaires à l'installation :

- Pince réglable
- Tournevis Phillips à pointe plate et à pointe carrée
- Clé à molette
- Clé à tuyau pour l'alimentation en gaz (sècheuses à gaz)
- Ruban à filetage résistant au GPL (pour l'alimentation en gaz naturel ou en GPL, sècheuses à gaz)
- Niveau de charpentier
- Évent extérieur
- Conduit d'évacuation de 102 mm (4 po) en métal rigide ou semi-rigide
- Ensemble pour cordon d'alimentation de 240 V à 3 ou 4 fils (sècheuse électrique)
- Collier de 10,2 cm (4 po)
- Robinet d'arrêt pour conduite de gaz (sècheuse à gaz)
- Deux raccords-unions à évasement de 1/2 NPT et une conduite flexible d'alimentation en gaz (sècheuse à gaz)
- Ruban métallique (et non du ruban à conduits)
- Tuyaux d'alimentation (x2)



REMARQUE

Les tuyaux ne sont pas fournis à l'achat de la machine. Voir la section « Accessoires » pour différentes trousse de tuyaux d'entrée pouvant s'adapter à votre installation spécifique.



REMARQUE

Étant donné les variations de tension possibles, l'utilisation de cette sècheuse avec une alimentation produite par un générateur d'énergie électrique fonctionnant au gaz, au solaire ou à l'éolienne ou par toute autre source d'alimentation différente de celle fournie par les services publics n'est pas recommandée.

Exigences électriques pour les ensembles laveuse/sècheuse avec sècheuse électrique

CIRCUIT - Circuit indépendant de 30 ampères avec fusible temporisé ou disjoncteur de 30 A.

ALIMENTATION ÉLECTRIQUE - Câble monophasé à 3 ou 4 fils, 240 volts, 60 Hz ; courant alternatif.



IMPORTANT

Cette laveuse/sècheuse est mise à la terre par le fil d'alimentation neutre, sauf si elle est destinée à la vente au Canada.

Il est impératif d'utiliser un cordon d'alimentation à 4 fils lorsque l'appareil est installé dans une région où la mise à la terre par le conducteur neutre est interdite. La mise à la terre par le fil d'alimentation neutre est interdite pour : (1) les installations électrique d'une nouvelle entreprise, (2) les maisons mobiles, (3) les véhicules récréatifs, et (4) les régions où les codes locaux N'AUTORISENT PAS la mise à la terre par le conducteur neutre.

PRISE - Prise NEMA 10-30R ou NEMA 14-30R située à portée du cordon d'alimentation lorsque la sècheuse est déjà installée.

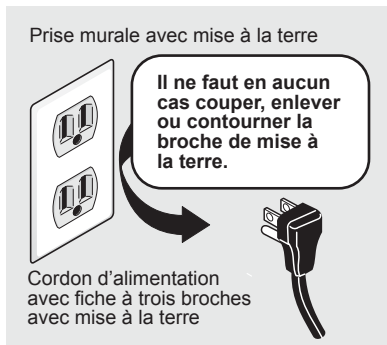
EXIGENCES D'INSTALLATION

CONNEXION DE MISE À LA TERRE - Consultez la rubrique « Exigences de mise à la terre » dans la section d'installation électrique.



AVERTISSEMENT

Un raccordement inadéquat de l'appareil à la mise à la terre peut provoquer des blessures graves ou la mort. En cas de doute quant à la mise à la terre de l'appareil, consultez un électricien qualifié.



TROUSSE DE CORDON D'ALIMENTATION À 3 FILS (non fournie)



Prise à 3 orifices
(NEMA type 10-30R)

La sécheuse DOIT utiliser un cordon d'alimentation à 3 fils NEMA 10-30 de type SRDT d'une capacité de 240 volts (c.a.) et d'au moins 30 ampères, avec 3 connecteurs ouverts embrochables avec extrémités renversées, ou connecteurs à boucle fermée, spécialement adaptés aux sécheuses. Pour les instructions de raccordement du cordon à 3 fils, consultez la section **CONNEXIONS ÉLECTRIQUES POUR UN SYSTÈME À 3 FILS**.

TROUSSE DE CORDON D'ALIMENTATION À 4 FILS (non fournie)



Prise à 4 orifices
(NEMA type 14-30R)

La sécheuse DOIT utiliser un cordon d'alimentation à 4 fils NEMA 14-30 de type SRDT ou DRT (au besoin) d'une capacité de 240 volts (c.a.) et d'au moins 30 ampères, avec 4 connecteurs ouverts embrochables avec extrémités renversées, ou connecteurs à boucle fermée, spécialement adaptés aux sécheuses. Pour les instructions de

raccordement du cordon à 4 fils, consultez la section **CONNEXIONS ÉLECTRIQUES POUR UN SYSTÈME À 4 FILS**.



REMARQUE

Les appareils destinés à la vente au Canada sont munis d'un cordon d'alimentation à 4 fils (NEMA 14-30R).

Exigences électriques pour les ensembles laveuse/sécheuse avec sécheuse à gaz



AVERTISSEMENT

Un raccordement inadéquat de l'appareil à la mise à la terre peut provoquer des blessures graves ou la mort. En cas de doute quant à la mise à la terre de l'appareil, consultez un électricien qualifié.



CIRCUIT - Circuit indépendant de 15 ampères, polarisé et mis à la terre, avec fusible temporisé ou disjoncteur de 15 A.

ALIMENTATION ÉLECTRIQUE - Câble monophasé à 2 fils mis à la terre, 120 volts, 60 Hz ; courant alternatif.

CORDON D'ALIMENTATION - La sécheuse est dotée d'un cordon d'alimentation de 120 volts à 3 fils.

CONNEXION DE MISE À LA TERRE - Consultez la rubrique « Exigences de mise à la terre » dans la section d'installation électrique.

EXIGENCES D'INSTALLATION

Exigences relatives à l'alimentation en gaz



AVERTISSEMENT

RISQUE D'EXPLOSION

Un tuyau en cuivre sans revêtement se corrompt lorsqu'il entre en contact avec le gaz naturel ; ce qui entraîne des fuites. Utilisez UNIQUEMENT des tuyaux en fer magnétique, en acier inoxydable ou encore en cuivre avec revêtement en plastique pour l'alimentation en gaz.

1. L'installation DOIT être conforme aux codes locaux ou au National Fuel Gas Code, ANSI Z223.1 (dernière version), en l'absence de codes locaux.
2. Le tuyau d'alimentation en gaz doit avoir un diamètre intérieur de 1,27 cm (1/2 po).
3. Si les codes l'autorisent, un tuyau métallique flexible peut être utilisé pour raccorder votre sècheuse au tuyau d'alimentation en gaz. Le tuyau DOIT être fabriqué en acier inoxydable ou en laiton avec revêtement en plastique.
4. Le tuyau d'alimentation en gaz DOIT être muni d'un robinet d'arrêt distinct conformément à la norme B149.1, Code d'installation du gaz naturel et du propane.
5. Un orifice taraudé de 0,32 cm (1/8 po) bouché, accessible pour le branchement de la jauge d'essai, DOIT être installé directement en amont du branchement du tuyau d'alimentation en gaz avec la sècheuse.
6. La sècheuse DOIT être déconnectée de la canalisation de gaz avant toute vérification de pression de celle-ci à des pressions de vérification supérieures à 1/2 psig (3,45 kPa).
7. Cette sècheuse DOIT être isolée de la canalisation de gaz pendant toute vérification de pression de la canalisation de gaz à des pressions de vérification égales ou inférieures à 1/2 psig (3,45 kPa).
8. Les branchements d'alimentation en gaz doivent être conformes à la norme Connectors for Gas Appliances (Raccords pour appareils au gaz) ANSI Z21.24 - CSA 6.10.

Exigences relatives à l'alimentation en eau

Les robinets d'eau chaude et d'eau froide DOIVENT être installés à une distance de 107 cm (42 po) de l'arrivée d'eau de votre laveuse. Les robinets DOIVENT être de

1,9 cm (3/4 po) et les raccords de tuyau de la laveuse filetés. La pression d'eau DOIT se situer entre 10 psi (0,69 bars) et 120 psi (8,27 bars). La différence de pression entre l'eau chaude et l'eau froide ne doit pas dépasser 10 psi. Le service des eaux de votre localité peut vous fournir des informations relatives à la pression de votre alimentation en eau.



REMARQUE

Les laveuses connectées à des sources d'approvisionnement en eau ayant une pression d'entrée plus faible nécessiteront plus de temps de remplissage et peuvent exécuter les cycles plus lentement.

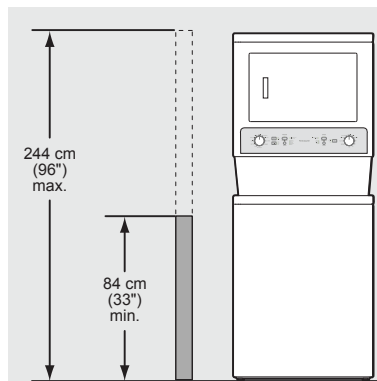
Exigences relatives au système de vidange

1. Le système d'évacuation doit pouvoir évacuer 64,3 l (17 gal) d'eau à la minute.
2. Tuyau d'évacuation d'au moins 2,54 à 3,18 cm (1 à 1/4 po) de diamètre.
3. Le tuyau d'évacuation doit être situé à :
hauteur minimale : 84 cm (33 po)
hauteur maximale : 244 cm (96 po)



REMARQUE

Pour les installations nécessitant un tuyau de vidange plus long, procurez-vous-en auprès d'un distributeur de pièces agréé et confiez l'installation à un technicien qualifié (selon le numéro de votre modèle). Pour les systèmes de vidange dans le sol, installez un kit de rupture de siphon disponible dans la quincaillerie de votre localité.



Exigences relatives au système d'évacuation

Utilisez uniquement un conduit métallique rigide ou flexible de 102 mm (4 po) de diamètre et un évent approuvé équipé d'un/de volet(s) pivotant(s) qui s'ouvre(nt) lorsque la sècheuse est en marche. Lorsque la sècheuse s'arrête, les événements se ferment automatiquement pour empêcher les infiltrations d'air, d'insectes et de rongeurs. Pour éviter de bloquer la sortie, gardez un espace minimal de 30,5 cm (12 po) entre l'évent et le sol ou toute autre obstruction.



AVERTISSEMENT

RISQUE D'INCENDIE

Le non-respect de ces instructions pourrait excessivement rallonger le temps de séchage et provoquer le risque d'incendie.

Vous trouverez ci-dessous les exigences relatives à l'utilisation adéquate et sécurisée de votre appareil.

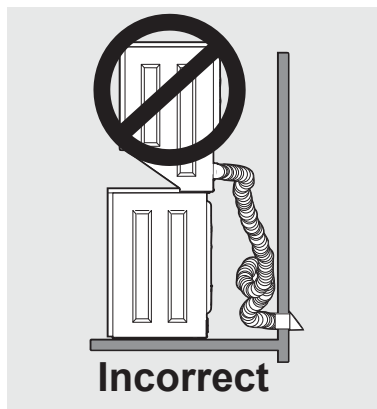
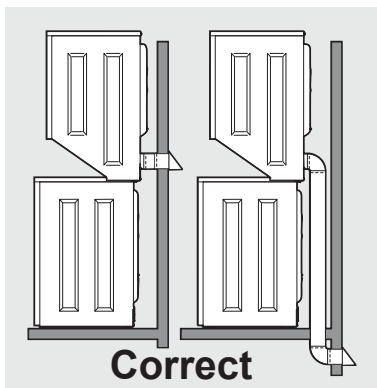


AVERTISSEMENT

RISQUE D'INCENDIE

N'installez pas une sècheuse de linge avec du matériel d'évacuation en plastique ou en feuille métallique flexible. Le matériel de ventilation flexible peut s'écrouler, s'écraser facilement et bloquer la charpie. Ces conditions pourraient bloquer l'écoulement d'air de votre sècheuse et accroître le risque d'incendie.

Si votre système actuel utilise une conduite en plastique ou en feuille métallique, remplacez-la par une conduite métallique rigide ou semi-rigide. De plus, assurez-vous que la conduite en place est dépourvue de charpie avant d'installer celle de la sècheuse.



AVERTISSEMENT

RISQUE D'INCENDIE

Le système d'évacuation d'une sècheuse doit déboucher à l'extérieur. Il NE doit PAS déboucher dans une cheminée, sur un mur, un plafond, un grenier, un vide sanitaire ou dans tout espace caché d'un bâtiment. La sècheuse de linge produit de la charpie inflammable. Si l'évacuation de sècheuse n'est pas dirigée vers l'extérieur, la charpie pourrait se répandre dans toute la surface de la buanderie. L'accumulation de charpie dans toute pièce de la maison peut entraîner des risques sanitaires et d'incendie.

La sècheuse doit être connectée à une évacuation extérieure. **Avant l'installation de votre sècheuse**, inspectez régulièrement l'ouverture de l'évacuation extérieure et retirez toute accumulation de charpie près de l'ouverture et de la zone avoisinante.



AVERTISSEMENT

RISQUE D'INCENDIE

Le non-respect scrupuleux de ces instructions pourrait provoquer des blessures graves, la mort ou les dommages matériels.

N'installez PAS de ventilateur dans le conduit d'évacuation.

Installez TOUTES les sècheuses de linge conformément aux instructions d'installation de ce manuel.

EXIGENCES D'INSTALLATION



AVERTISSEMENT

RISQUE D'INCENDIE

- **NE** laissez pas de matière combustible (par exemple : des vêtements, des rideaux, du papier) entrer en contact avec le système d'évacuation. Le système d'évacuation de la sècheuse **NE DOIT PAS** déboucher dans une cheminée, sur un mur, un plafond, ou dans tout espace caché d'un bâtiment qui pourrait accumuler la charpie ; ce qui pourrait entraîner un risque d'incendie.

- **NE** placez pas de grillage aux extrémités du système d'évacuation et n'utilisez pas de vis, rivet ou autre fixation pénétrant dans la conduite pour rallonger système.

L'ouverture d'évacuation de l'air ne doit jamais être couverte par une grille, une crépine ou une garde de quelque taille que ce soit. La charpie peut rester coincée dans la grille, la crépine, une garde ou sur les vis ou les rivets, ce qui bloquerait les conduites et créerait un risque d'incendie tout en augmentant le temps de séchage. Utilisez un évent approuvé pour clore la conduite à l'extérieur et scellez tous les joints avec du ruban métallique. Toutes les extrémités mâles des conduites **DOIVENT** être installées en aval de l'écoulement de l'air.



AVERTISSEMENT

RISQUE D'INCENDIE

- **N'INSTALLEZ PAS** de matériel de ventilation en plastique ou en aluminium flexible.
- Si vous installez du matériel de ventilation semirigide, il est nécessaire que la longueur du conduit soit égale ou inférieure à 2,4 m (8 pi).

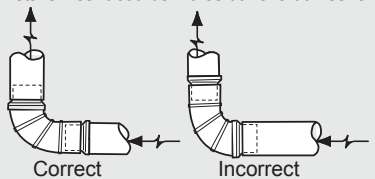


AVERTISSEMENT

RISQUE D'INCENDIE

- Le non-respect scrupuleux de ces instructions pourrait provoquer des blessures graves, la mort ou les dommages matériels.
- **N'INSTALLEZ PAS** de ventilateur dans le conduit d'évacuation de la sècheuse.
- Installez toutes les sècheuses de linge conformément aux instructions d'installation de ce manuel.

Installez les raccords mâles dans le bon sens :



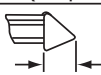
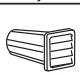
AVERTISSEMENT

RISQUE D'INCENDIE

Le fait de dépasser la longueur des conduites ou le nombre de coudes indiqués dans les tableaux relatifs à la « **LONGUEUR MAXIMALE** » peut entraîner l'accumulation de charpie dans le système. Toute obstruction au système d'évacuation peut entraîner un risque d'incendie, en plus d'accroître le temps de séchage.

Pour une installation où le système d'évacuation n'est pas décrit dans les tableaux, la méthode suivante doit être utilisée pour vérifier la conformité du système :

1. branchez un manomètre à tube incliné ou numérique entre la sècheuse et le point de raccordement de l'évacuation et de la sècheuse,
2. réglez la minuterie de la sècheuse, la température à duvetage (refroidissement), et mettez l'appareil en marche,
3. relevez le résultat du manomètre.
4. **La contre-pression du système NE DOIT PAS être supérieure à 0,6 po de la colonne d'eau. Si la contre-pression du système est inférieure à 0,6 po de la colonne d'eau, le système est conforme. Si la lecture du manomètre indique une colonne d'eau supérieure à 0,6 po, le système est trop restreignant et n'est pas conforme.**

Nombre de tours à 90°	LONGUEUR MAXIMALE pour le conduit en métal rigide de 102 mm (4 po)	
	TYPE DE BOUCHE D'ÉVACUATION (De préférence)	
	 10,2 cm (4 po)	 À volets
0	17 m (56 pi)	13 m (42 pi)
1	14,5 m (48 pi)	10,5 m (34 pi)
2	12 m (40 pi)	8 m (26 pi)
3	9,5 m (32 pi)	5,5 m (18 pi)

EXIGENCES D'INSTALLATION

Bien que l'orientation verticale du système d'évacuation soit acceptable, certaines circonstances atténuantes pourraient influencer sur le rendement de l'appareil.

- Seule une conduite métallique rigide doit être utilisée.
- L'évacuation verticale par le toit peut entraîner un refoulement au niveau du système d'évacuation, ce qui accroît sa restriction.
- L'acheminement de la conduite d'évacuation dans un endroit non isolé peut entraîner la condensation et l'accumulation plus rapide de charpie.
- Le fait de comprimer ou de pincer le système d'évacuation entraîne l'augmentation de la restriction dans le système.
- Le système d'évacuation doit être inspecté et nettoyé au moins tous les 18 mois avec un usage normal. Plus l'appareil est utilisé, plus la vérification du système et de la bouche d'évacuation doit être récurrente.

Direction d'évacuation

L'évacuation de la laveuse/sécheuse peut se faire de quatre (4) façons par un système d'évacuation arrière :

1. En ligne droite
2. Vers le bas (20,3 cm [8 po] de longueur pour un conduit de 102 mm [4 po] rigide et 1 coude vers le bas).
3. À gauche (20,3 cm [8 po] de longueur pour un conduit de 102 mm [4 po] rigide, 1 coude vers le bas et 1 coude à gauche).
4. À droite (20,3 cm [8 po] de longueur pour un conduit de 102 mm [4 po] rigide,



1 coude vers le bas et 1 coude à droite).

Un dispositif d'évacuation aligné directement avec la sortie d'évacuation de la sécheuse peut être installé directement à travers le mur extérieur. Pour évacuer sur le côté ou vers le bas, ajoutez un conduit standard de 20,3 cm (8 po) de longueur, 102 mm (4 po) de diamètre et un coude de 90°.

Pour une évacuation vers le haut, ajoutez un conduit standard de 102 mm (4 po) de longueur, 28 cm (11 po) de diamètre et un coude de 90°. L'appareil se situe à une distance d'environ 11,5 cm (4,5 po) du mur (une évacuation sans dégagement au mur peut se faire en passant sous la sécheuse puis sur les côtés).

Consultez également la section *Exigences de Dégagement* de ces instructions

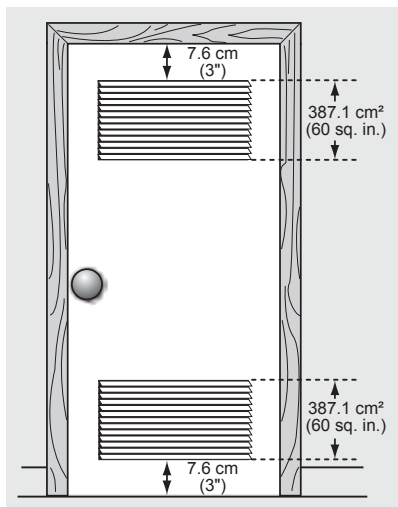
Installation dans une maison usinée ou mobile

1. L'installation DOIT être conforme à la norme Manufactured Home Construction and Safety Standard, titre 24 CFR, article 3280 (anciennement désignée comme la Federal Standard for Mobile Home Construction and Safety, titre 24, HUD, article 280) ou à la norme CAN/CSA-Z240 MH.
2. Le système d'évacuation de la sécheuse DOIT déboucher à l'extérieur (à l'air libre et non sous la maison mobile) à l'aide d'une gaine métallique non inflammable. La conduite métallique doit avoir un diamètre de 10,16 cm (4 po) et ne comporter aucune obstruction. Utilisez de préférence une conduite métallique rigide. Le système d'évacuation DOIT être solidement fixé à une portion non inflammable de la structure de la maison mobile.
3. Si la sécheuse est évacuée par le plancher et que l'espace sous la maison mobile est clos, le système d'évacuation DOIT déboucher à l'extérieur de l'espace clos et être fixé solidement à la structure de la maison mobile.
4. Reportez-vous aux sections précédentes de ce guide pour d'autres exigences d'évacuation importantes.
5. Lors de l'installation d'une sécheuse à gaz dans une maison mobile, des dispositions doivent être prises pour permettre l'entrée d'air d'appoint de l'extérieur. Cette installation ne doit pas mesurer moins de deux fois la surface de la bouche d'évacuation.
6. L'installateur DOIT ancrer cette combinaison laveuse/sécheuse à l'aide d'un nécessaire d'installation de maison mobile approuvé, n° de pièce 137067200.

EXIGENCES D'INSTALLATION

Installation dans un endroit en retrait ou une armoire

1. Une sècheuse installée dans une chambre à coucher, une salle de bains, un enfoncement ou un placard DOIT avoir une évacuation dirigée vers l'extérieur.
2. Aucun autre appareil à combustion ne doit être installé dans le même placard que la sècheuse.
3. Votre sècheuse a besoin d'espace pour assurer une ventilation adéquate.
4. N'INSTALLEZ PAS votre sècheuse dans un placard muni d'une porte pleine.
5. Porte de placard assurant une ventilation requise : Une ouverture d'au moins 774,2 cm² (120 po ca) également répartie entre le dessus et le dessous de la porte, est requise. Les ouvertures doivent être situées à 7,6 cm (3 po) du haut et du bas de la porte. Les ouvertures ne doivent pas être obstruées lorsqu'une porte est installée. Une porte à persiennes dont les ouvertures d'air sont équivalentes sur toute la hauteur de la porte peut être utilisée.



porte de placard



AVERTISSEMENT

RISQUE D'EXPLOSION

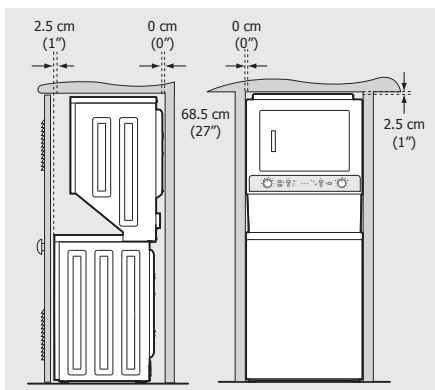
N'INSTALLEZ PAS la laveuse/sècheuse à proximité des lieux de stockage ou de conservation de l'essence ou d'autres produits inflammables. Si la laveuse/sècheuse est installée dans un garage, le compartiment sècheuse doit être au minimum de 45,7 cm (18 pouces) au-dessus du sol. Le non-respect de cette consigne peut entraîner la mort, une explosion, un incendie ou des brûlures.



IMPORTANT

N'INSTALLEZ PAS VOTRE LAVEUSE/ SÈCHEUSE :

- dans une zone exposée à des gouttes d'eau ou à des conditions météorologiques extérieures, à une température ambiante inférieure à 60 °F (15,6 °C) afin d'optimiser l'efficacité du détergent,
- dans un endroit où elle sera en contact avec des rideaux ou tout autre objet qui pourrait obstruer l'écoulement de l'air de combustion ou de ventilation,
- sur un tapis. Le plancher DOIT être solide et présenter une pente inférieure à 2,5 cm (1 po). Afin d'éviter les vibrations et le déplacement de l'appareil, il peut être nécessaire de renforcer le plancher.



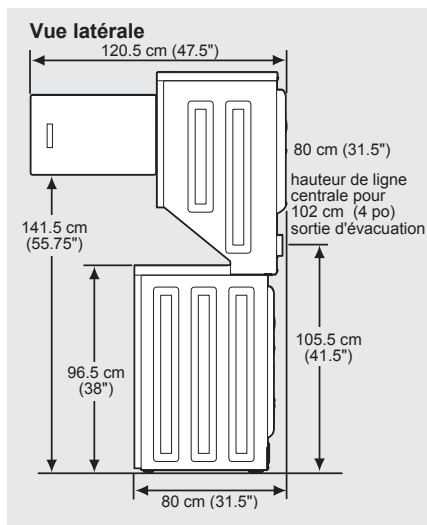
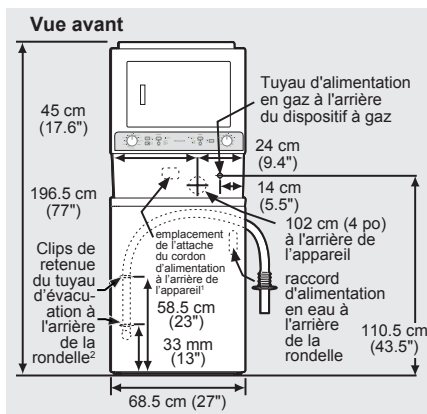
Exigences de dégagement

DÉGAGEMENTS MINIMAUX - centimètre (pouce)

	CÔTÉS	ARRIÈRE	DESSUS	AVANT
Alcôve	0 cm (0")	0 cm (0")	2,5 cm (1")	n/a
Placard	0 cm (0")	0 cm (0")	2,5 cm (1")	2,5 cm (1")

EXIGENCES D'INSTALLATION

Dimensions de la combinaison laveuse/sécheuse



¹ Longueur du cordon d'alimentation de la sécheuse à gaz environ 152,5 cm (60 po).

² Longueur du tuyau de vidange au-dessus du collier environ 131 cm (51,5 po)

Installation électrique

Vous trouverez ci-dessous les exigences pour l'installation électrique adéquate et sécuritaire de votre appareil. Le non-respect de ces instructions pourrait créer un choc électrique / risque d'incendie.



AVERTISSEMENT

RISQUE DE CHOC ÉLECTRIQUE

- Cet appareil **DOIT** être correctement mis à la terre. Une mauvaise mise à la terre de la sécheuse peut provoquer des chocs électriques. Suivez les instructions de ce manuel pour une mise à la terre appropriée.
- **N'UTILISEZ PAS** de rallonge pour cette sécheuse. Certaines rallonges ne pourraient pas supporter la quantité de courant électrique utilisé par cette sécheuse et pourraient fondre, entraînant des risques de choc électrique ou d'incendie. Placez la sécheuse à portée de la prise selon la longueur de la rallonge à acheter, afin d'éviter de la tendre exagérément. Reportez-vous aux exigences de préinstallation de ce guide pour le type de cordon d'alimentation à acheter.



AVERTISSEMENT

RISQUE DE CHOC ÉLECTRIQUE

- Un réducteur de tension certifié UL doit être installé sur le cordon d'alimentation. Si le réducteur de tension n'est pas installé, le cordon peut se détacher de l'appareil ou se couper à tout moment, ce qui entraînerait un risque de choc électrique.
- N'utilisez **PAS** une prise munie d'un câblage en aluminium avec un cordon d'alimentation et une fiche avec fils en cuivre (ou l'inverse). Une réaction chimique se produit entre l'aluminium et le cuivre, ce qui pourrait entraîner un court-circuit. Il faut utiliser un cordon, une fiche et une prise avec des fils en cuivre.



REMARQUE

Les sécheuses alimentées par une tension de 208 V auront un temps de séchage plus long que celles alimentées par une tension de 240 V.

EXIGENCES D'INSTALLATION

Exigences de mise à la terre - Sécheuse électrique (É.-U.)



AVERTISSEMENT

Un raccordement inadéquat de l'appareil à la mise à la terre peut provoquer des blessures graves ou la mort. En cas de doute quant à la mise à la terre de l'appareil, consultez un électricien qualifié.

Pour une sécheuse avec cordon, mise à la terre :

1. L'appareil DOIT être mis à la terre. En cas de dysfonctionnement ou de panne, la mise à la terre diminue les risques de choc électrique en offrant au courant électrique une trajectoire de moindre résistance.
2. Après l'achat et l'installation d'un cordon d'alimentation à 3 ou 4 fils doté d'un conducteur et d'une fiche de mise à la terre qui correspondent à votre système de câblage, la fiche DOIT être branchée à une prise en cuivre correctement installée et mise à la terre conformément aux codes et règlements en vigueur dans votre localité. En cas de doute, faites appel à un électricien qualifié.
3. NE MODIFIEZ PAS la fiche installée sur cet appareil. Si elle ne s'insère pas dans la prise, faites installer une prise adaptée par un électricien qualifié.

Pour une sécheuse avec branchement permanent :

La sécheuse DOIT être branchée à un système de câblage métallique permanent mis à la terre ; ou un conducteur de mise à la terre doit être installé avec des conducteurs de circuit et branché à la borne de mise à la terre ou au câble de l'appareil.

Exigences de mise à la terre - Sécheuse électrique (Canada)



AVERTISSEMENT

Un raccordement inadéquat de l'appareil à la mise à la terre peut provoquer des blessures graves ou la mort. En cas de doute quant à la mise à la terre de l'appareil, consultez un électricien qualifié.

Pour une sécheuse avec cordon, mise à la terre :

1. La laveuse/sécheuse DOIT être mise à la terre. En cas de dysfonctionnement ou de panne, la mise à la terre diminue

les risques de choc électrique en offrant au courant électrique une trajectoire de moindre résistance.

2. Étant donné que votre appareil est muni d'un cordon d'alimentation doté d'un conducteur et d'une fiche de mise à la terre, la fiche doit être branchée à une prise installée et mise à la terre conformément aux codes et règlements en vigueur dans votre localité. En cas de doute, faites appel à un électricien qualifié.
3. NE MODIFIEZ PAS la fiche fournie avec cet appareil. Si elle ne s'insère pas dans la prise, faites installer une prise adaptée par un électricien qualifié.

Exigences de mise à la terre - Sécheuse à gaz (É.-U. et Canada)



AVERTISSEMENT

Un raccordement inadéquat de l'appareil à la mise à la terre peut provoquer des blessures graves ou la mort. En cas de doute quant à la mise à la terre de l'appareil, consultez un électricien qualifié.

Prise murale avec mise à la terre



Il ne faut en aucun cas couper, enlever ou contourner la broche de mise à la terre.

Cordon d'alimentation avec fiche à trois broches avec mise à la terre



1. Cet appareil est muni d'une fiche à trois broches (mise à la terre) pour assurer votre protection contre les chocs électriques. Cette fiche doit être branchée directement à une prise à trois orifices correctement mise à la terre.
2. La fiche doit être branchée à une prise correctement installée et mise à la terre conformément aux codes et règlements locaux. En cas de doute, faites appel à un électricien qualifié.
3. NE MODIFIEZ PAS la fiche fournie avec cet appareil. Si elle ne s'insère pas dans la prise, faites installer une prise adaptée par un électricien qualifié.

DÉBALLAGE DE LA COMBINAISON LAVEUSE/SÉCHEUSE

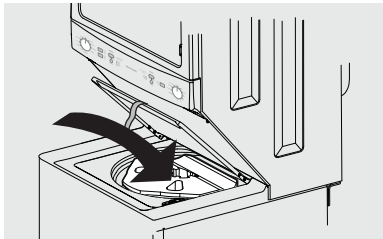
Instructions de Déballage



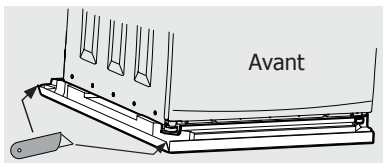
IMPORTANT

Suivez les étapes suivantes pour prévenir les vibrations, éviter les dommages de l'appareil et maximiser ses performances.

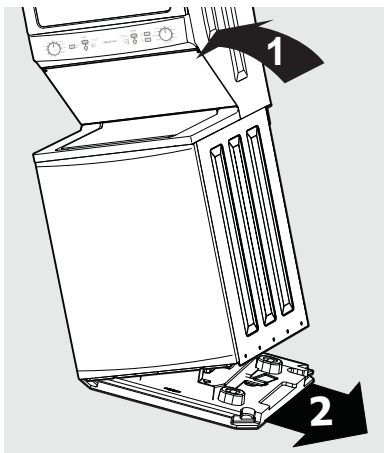
1. Si le bloc de mousse de la cuve a été retiré, remettez-le en place et fixez de nouveau le couvercle solidement à l'aide du ruban adhésif.



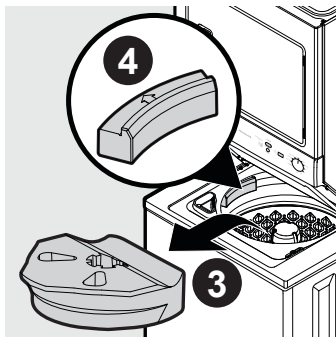
2. Coupez soigneusement les coins avant et arrière gauche du carton restant.



3. Avec l'aide d'une deuxième personne, inclinez légèrement et délicatement la laveuse/sécheuse vers la gauche, comme l'indique l'image ci-dessous. Retirez le support d'expédition en mousse de la base de l'appareil. Gardez la mousse d'emballage pour une utilisation future.



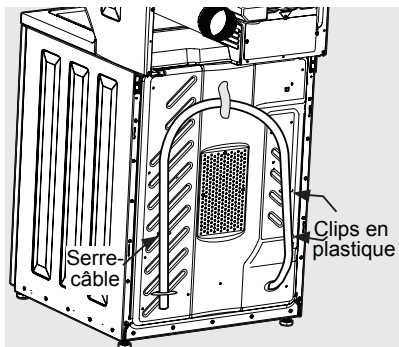
4. Baissez soigneusement la laveuse ou sécheuse en position verticale et retirez la bande qui retient le couvercle. Retirez le bloc de mousse de la cuve et tous autres contenus de la cuve.



REMARQUE

Si l'appareil doit être transporté plus tard, conservez la plaque de blocage de la cuve, la base en mousse et le support de la cuve.

5. À l'arrière de la laveuse, retirez les attaches métalliques d'expédition qui immobilisent le tuyau de vidange.
6. **NE RETIREZ PAS** les ATTACHES EN PLASTIQUE qui immobilisent le tuyau de vidange sur le côté droit de la paroi arrière de la laveuse. Cela contribue à former une colonne montante pour éviter le siphonage de l'eau.



7. Déplacez soigneusement la laveuse/sécheuse de 1,2 m (4 pi) de sa position finale pour le début de l'installation.



ATTENTION

DANGER DE POIDS EXCESSIF

Pour éviter les blessures au dos ou d'autres types, demandez de l'aide pour déplacer ou soulever la laveuse/sécheuse.

INSTRUCTIONS D'INSTALLATION

Raccordement au gaz

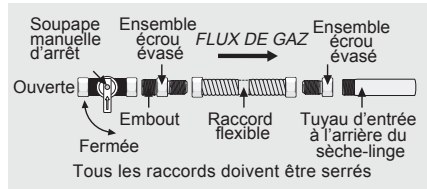
1. Retirez le capuchon d'expédition de la conduite de gaz à l'arrière de l'appareil.



IMPORTANT

NE RACCORDEZ PAS la sècheuse à une alimentation en propane liquide sans avoir au préalable converti la soupape de gaz. Le nécessaire de conversion au propane liquide doit être installé par un technicien qualifié.

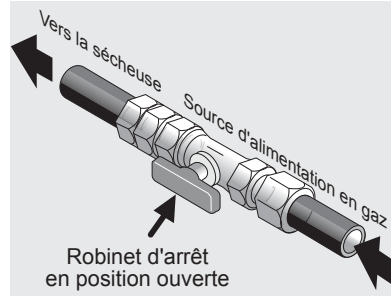
2. Connectez un tuyau semi-rigide ou approuvé d'un diamètre intérieur de 1,27 cm (1/2 po) de la conduite d'alimentation de gaz au tuyau de 0,96 cm (3/8 po) de diamètre situé à l'arrière de l'appareil. Utilisez un réducteur de 1,27 cm à 0,96 cm (1/2 po à 3/8 po) pour effectuer le raccordement. Utilisez, à chaque raccord, un ruban d'étanchéité résistant à la corrosion des gaz liquéfiés.



IMPORTANT

La conduite d'alimentation doit être munie d'un robinet d'arrêt approuvé. Ce robinet doit être situé dans la même pièce que la sècheuse et être facilement accessible. NE BLOQUEZ PAS l'accès au robinet d'arrêt de l'alimentation de gaz.

3. Ouvrez le robinet d'arrêt dans la conduite d'alimentation de gaz pour permettre au gaz de s'écouler dans le tuyau. Attendez quelques minutes pour que le gaz s'écoule dans la conduite.



4. Vérifiez le système avec un manomètre pour déceler toute fuite. Si vous n'avez pas de manomètre, vérifiez les raccords en y appliquant de l'eau savonneuse.



AVERTISSEMENT

RISQUE D'EXPLOSION

Ne vérifiez JAMAIS la présence de fuites de gaz à l'aide d'une flamme nue.

INSTRUCTIONS D'INSTALLATION

Connexion électrique (sauf au Canada) - cordon à 3 fils



Prise à 3 orifices
(NEMA type 10-30R)

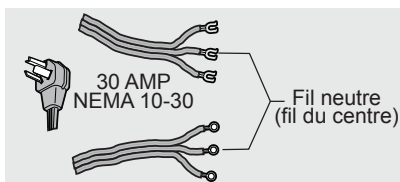


AVERTISSEMENT

RISQUE DE CHOC ÉLECTRIQUE

Ne pas débrancher l'appareil de sa source d'alimentation électrique avant l'entretien peut causer des blessures, voire la mort.

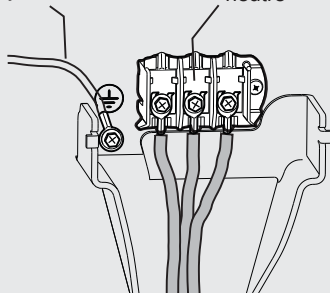
1. Coupez l'alimentation électrique sur la prise.
2. Retirez la vis qui fixe le couvercle d'accès au bornier dans le coin supérieur du dos de la sècheuse.
3. Installez un réducteur de tension certifié UL dans l'orifice du cordon d'alimentation sous le panneau d'accès conformément aux instructions du fabricant du cordon d'alimentation ou du réducteur de tension. À ce moment, le réducteur de tension doit être installé de manière à être flexible.



4. Faites passer un cordon de 30 A certifié UL, NEMA 10-30 de type SRDT, NON BRANCHÉ, dans le réducteur de tension.
5. Fixez le fil neutre du cordon d'alimentation (fil du centre) à la borne centrale ARGENT du bornier. Serrez correctement la vis.
6. Fixez les deux autres conducteurs extérieurs du câble d'alimentation aux bornes externes en LAITON du bornier. Serrez correctement les deux vis.

N'ENLEVEZ PAS la mise à la terre interne dans un système à trois fils!

Borne neutre



AVERTISSEMENT

RISQUE DE CHOC ÉLECTRIQUE

NE faites PAS de courbe prononcée, et ne pincez pas le câblage ou les conducteurs au niveau des raccords.

7. Suivez les consignes du fabricant pour fixer solidement le réducteur de tension et le cordon d'alimentation.
8. Réinstallez le couvercle du panneau d'accès au bornier.



IMPORTANT

Si vous passez d'un système à 4 fils à un système à 3 fils, déplacez le fil de mise à la terre interne de la borne centrale du bornier à la vis VERTE à côté du bornier.

INSTRUCTIONS D'INSTALLATION

Connexion électrique (sauf au Canada) - cordon à 4 fils



Prise à 4 orifices
(NEMA type 14-30R)

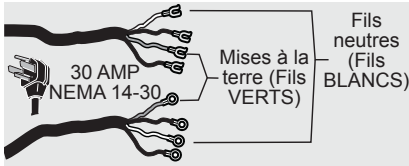


AVERTISSEMENT

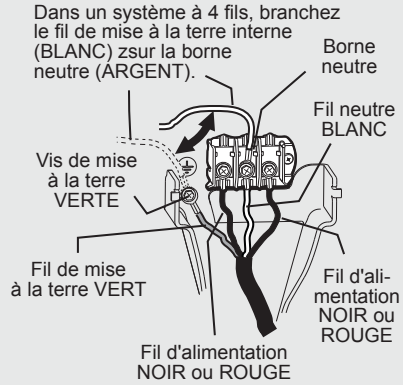
RISQUE DE CHOC ÉLECTRIQUE

Ne pas débrancher l'appareil de sa source d'alimentation électrique avant l'entretien peut causer des blessures, voire la mort.

1. Coupez l'alimentation électrique sur la prise.
2. Retirez la vis qui fixe le couvercle d'accès au bornier dans le coin supérieur du dos de la sècheuse.
3. Installez un réducteur de tension certifié UL dans l'orifice du cordon d'alimentation sous le panneau d'accès conformément aux instructions du fabricant du cordon d'alimentation ou du réducteur de tension. À ce moment, le réducteur de tension doit être installé de manière à être flexible.
4. Faites passer un cordon de 30 A certifié UL NEMA 14-30 de type DRT ou SRDT, NON BRANCHÉ, dans le réducteur de tension.



5. Débranchez le fil de mise à la terre du faisceau électrique interne de la sècheuse (BLANC) de la mise à la terre (VERTE) près du bornier.
6. Fixez le fil de mise à la terre (VERT) du cordon d'alimentation à la caisse à l'aide de la vis de mise à la terre (VERTE). Serrez correctement la vis.
7. Déplacez le fil de mise à la terre du faisceau électrique interne (BLANC) au bornier et fixez-le avec le fil neutre du cordon d'alimentation (BLANC) à la borne centrale ARGENT du bornier. Serrez correctement la vis.
8. Fixez les fils ROUGE et NOIR du cordon d'alimentation aux bornes externes en LAITON du bornier. Serrez correctement les deux vis.



AVERTISSEMENT

RISQUE DE CHOC ÉLECTRIQUE

NE faites PAS de courbe prononcée, et ne pincez pas le câblage ou les conducteurs au niveau des raccords.

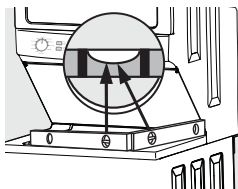
9. Suivez les consignes du fabricant pour fixer solidement le réducteur de tension et le cordon d'alimentation.
10. Réinstallez le panneau d'accès au bornier.

INSTRUCTIONS D'INSTALLATION

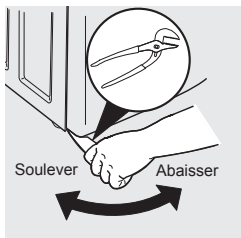
Mise à niveau de votre appareil

Les bruits excessifs et les vibrations peuvent être évités en mettant correctement la laveuse à niveau.

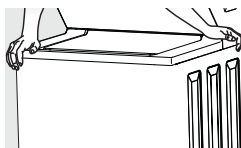
1. Lorsque l'appareil est à 1 m (4 pi) de son emplacement définitif, placez un niveau au-dessus de l'appareil.



2. Utilisez la clé universelle pour ajuster les pieds de mise à niveau de façon à ce que la laveuse/sécheuse soit à niveau d'avant en arrière et latéralement, et qu'elle soit stable aux quatre coins.

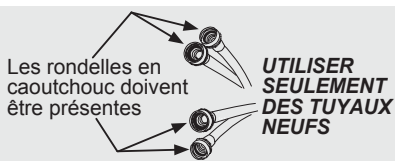
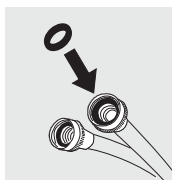
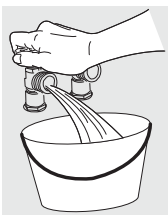


3. Appuyez sur chaque coin et chaque côté pour déterminer le moindre mouvement. Ajustez les pieds de mise à niveau appropriés de manière à ce que la laveuse repose solidement sur TOUS ses quatre pieds. Gardez les pieds de mise à niveau le plus près possible de la laveuse afin d'optimiser sa performance.



Branchement de l'entrée d'eau

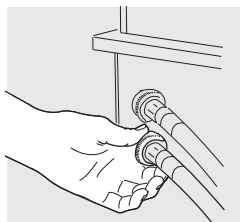
1. Faites couler l'eau des robinets d'eau chaude et froide pour purger les tuyaux, éliminer toute particule qui pourrait obstruer les grillages des robinets, et déterminer quels robinets fournissent l'eau chaude et lequel, l'eau froide.
2. Assurez-vous que les rondelles en caoutchouc des tuyaux d'entrée sont fermement fixées.



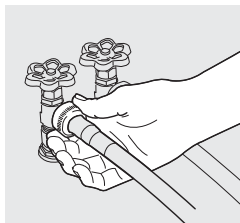
REMARQUE

Les tuyaux ne sont pas fournis à l'achat de la laveuse. Voir la section « Accessoires » pour différentes troussees de tuyaux d'entrée pouvant s'adapter à votre installation spécifique.

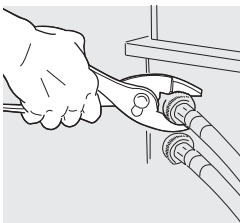
3. Raccordez le tuyau d'entrée d'eau CHAUDE au raccord d'eau CHAUDE de la laveuse et le tuyau d'entrée d'eau FROIDE au raccord d'eau FROIDE. Serrez fermement à la main. Puis, avec des pinces, serrez chaque raccord de 2/3 de tour. **N'inversez PAS le filetage et ne serrez pas trop.**



4. Branchez le tuyau d'entrée d'eau CHAUDE au robinet d'eau CHAUDE, et le tuyau d'entrée d'eau FROIDE au robinet d'eau FROIDE. Serrez fermement à la main.



5. Avec des pinces, serrez chaque raccord de 2/3 de tour. **NE pliez PAS, n'entortillez pas et ne coincez pas les tuyaux d'alimentation en eau.**

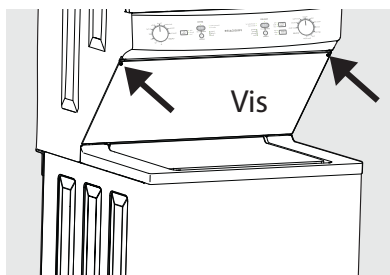


6. Ouvrez les robinets et assurez-vous qu'il n'y a pas de fuite.

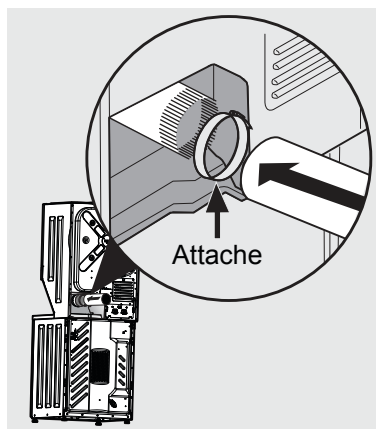
INSTRUCTIONS D'INSTALLATION

Conduit d'évacuation

1. Retirez les deux vis fixant le panneau d'accès avant de la sècheuse à la caisse. Soulevez le panneau jusqu'au dégagement de la caisse. Retirez le panneau et mettez-le de côté.

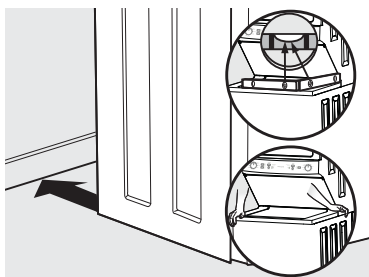


2. Branchez la conduite d'évacuation au système d'évacuation extérieur. L'utilisation d'un collier (pièce A) de 102 mm (4 po) est recommandée pour raccorder la sècheuse au système d'évacuation. Utilisez un ruban métallique pour sceller les autres joints.



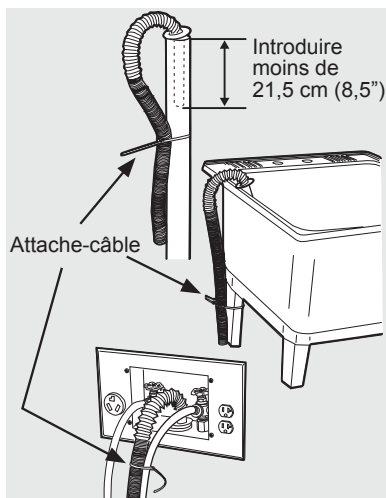
3. Réinstallez le panneau d'accès avant de la sècheuse.

4. Faites glisser soigneusement l'appareil vers son emplacement définitif. Vérifiez la stabilité de l'appareil en appuyant sur les coins.



Branchement électrique et du tuyau de vidange

1. Formez un « U » à l'extrémité du tuyau de vidange avec le tuyau pointé vers la vidange. Placez l'extrémité recourbée du tuyau de vidange dans une cuve ou une conduite des eaux usées et, à l'aide d'un collier de serrage, fixez le tuyau de vidange (fourni dans le paquet) à la conduite, au tuyau d'alimentation, à la cuve, etc. afin d'éviter que le tuyau ne se détache du fait de la pression de l'eau.



REMARQUE

Le diamètre intérieur du tuyau doit être de 1 à 3,2 cm (1/4 po) minimum. Il doit avoir un entrefer autour du tuyau de vidange. Un conduit souple peut causer une action de siphonnement.

AVERTISSEMENT

RISQUE DE DÉCHARGE ÉLECTRIQUE

Certaines pièces internes ne sont pas mises à la terre et peuvent présenter un risque de décharge électrique si elles sont touchées durant l'installation. Ne pas toucher les pièces suivantes une fois que l'appareil est mis sous tension :

- Pompe
- Moteur d'entraînement
- Panneaux de commande électronique
- Valves d'eau

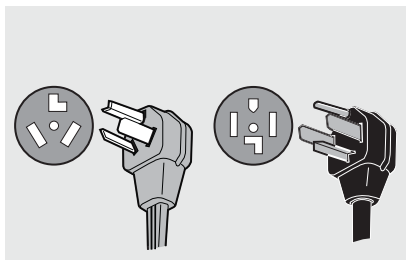
INSTRUCTIONS D'INSTALLATION



IMPORTANT

Assurez-vous que le disjoncteur / boîtier de fusibles est hors tension avant de brancher la fiche à une prise.

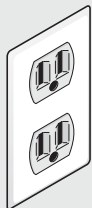
2. Branchez le cordon d'alimentation à la prise électrique mise à la terre.



AVERTISSEMENT

Un raccordement inadéquat de la sècheuse à la mise à la terre peut provoquer des blessures graves ou la mort. En cas de doute quant à la mise à la terre de l'appareil, consultez un électricien qualifié.

Prise murale avec mise à la terre



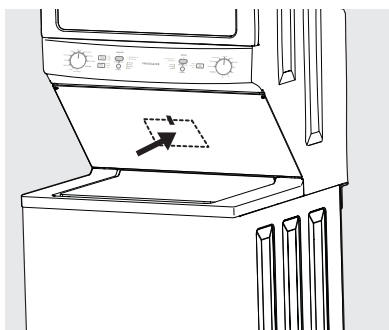
Il ne faut en aucun cas couper, enlever ou contourner la broche de mise à la terre.

Cordon d'alimentation avec fiche à trois broches avec mise à la terre



3. Ouvrez l'alimentation électrique au disjoncteur / au boîtier de fusibles.
4. Reportez-vous au *Guide d'utilisation et d'entretien* fourni avec la laveuse. Il contient des renseignements très utiles qui vous permettent d'économiser le temps et de l'argent.
5. Faites faire un cycle complet à la laveuse. Vérifiez qu'il n'y a aucune fuite et que la laveuse fonctionne correctement.

6. Pour toute question relative à l'utilisation initiale, veuillez revoir la section intitulée « *Liste de vérification avant l'entretien* » de votre *Guide d'utilisation et d'entretien* avant d'effectuer une demande de d'entretien.
7. Laissez ces instructions à proximité de l'appareil pour vous y reporter ultérieurement.



REMARQUE

Un schéma de câblage et les données techniques se trouvent à l'arrière du panneau d'accès de la sècheuse.



AVERTISSEMENT

Lors de la mise au rebut ou du rangement de votre laveuse/sècheuse, retirez TOUJOURS les portes de la sècheuse et de la laveuse.

ACCESSOIRES ET PIÈCES DE RECHANGE

Accessoires

NÉCESSAIRE DE CONVERSION POUR GPL PIÈCE N° PCK3100

Les sècheuses à gaz qui seront utilisées dans un endroit alimenté par du propane liquide doivent utiliser un nécessaire de conversion avant l'installation.

TROUSSE D'INSTALLATION DE MAISON MOBILE PIÈCE N° 137067200

Toute installation dans une maison mobile nécessite l'utilisation d'une TROUSSE D'INSTALLATION DE MAISON MOBILE.

NÉCESSAIRES DU TUYAUX D'ALIMENTATION

Veuillez appeler au 866-233-8353 (au Canada, 800-265-8352) pour explorer les options de tuyaux d'entrée qui pourraient correspondre à vos besoins spécifiques d'installation.

CRAYONS DE PEINTURE DE RETOUCHE*

Crayon de retouche Blanc -
PIÈCE N° 5304468812

Crayon de retouche ardoise -
PIÈCE N° 5304475700

*D'autres couleurs pourraient être disponibles.
Contactez le distributeur qui vous a vendu votre laveuse.

Pièces de rechange :

Si vous devez commander des pièces de rechange pour votre appareil, contactez le distributeur qui vous a vendu votre appareil, ou reportez-vous au Guide d'utilisation et d'entretien pour obtenir plus de détails.



ATTENTION

La non utilisation des accessoires fabriqués ou certifiés par le fabricant pourrait entraîner des blessures, des dommages matériels ou de la laveuse.