

SAMSUNG

USER MANUAL

Thank you for purchasing this Samsung product.
To receive more complete service, please register your product at www.samsung.com
Model _____ Serial No. _____
(Mexico only) If you have any questions, please call us at 800-SAMSUNG for assistance.

Figures and illustrations in this User Manual are provided for reference only and may differ from the actual product appearance. Product design and specifications may change without notice.

Contact SAMSUNG WORLD WIDE
If you have any questions or comments relating to Samsung products, please contact the Samsung service center.

Country	Samsung Service Center	Website
MEXICO	800-SAMSUNG	www.samsung.com/mx/support
ARGENTINA	0800-555-SAMS(7267)	www.samsung.com/ar
URUGUAY	0800-SAMS(7267)	www.samsung.com/uy
PARAGUAY	0800-11-SAMS(7267)	www.samsung.com/py
CHILE	800 726 786	
BOLIVIA	800 107 260	www.samsung.com/cl/support
COLOMBIA	Bogotá en el 600 12 72 Sin costo en todo el país 01 8000 112 112 Y desde tu celular #726	www.samsung.com/co/support
COSTA RICA	00-800-1-SAMSUNG (726-7864)	
DOMINICAN REPUBLIC	1-800-751-2676	
ECUADOR	1-800-SAMSUN (72-6786)	www.samsung.com/latin/support (Spanish)
EL SALVADOR	8000-SAMSUNG (726-7864)	www.samsung.com/latin_en/support (English)
GUATEMALA	1-800-299-0033	
HONDURAS	800-2791-9111	
JAMAICA	1-800-SAMSUNG (726-7864)	www.samsung.com/latin_en/support (English)
NICARAGUA	001-800-5077267	www.samsung.com/latin_en/support (Spanish)
PANAMA	800-0101	www.samsung.com/latin_en/support (English)
PERU	080077708 Desde teléfonos fijos, públicos o celulares	www.samsung.com/pe/support
PUERTO RICO	1-800-682-3180	
TRINIDAD & TOBAGO	1-800-SAMSUNG(726-7864)	www.samsung.com/latin_support (Spanish)
VENEZUELA	0-800-100-5303	www.samsung.com/latin_en/support (English)



BN68-15732C-00

© 2023 Samsung Electronics Co., Ltd. All rights reserved.

Internet security

(Mexico only)

Samsung takes a number of steps to protect its Internet-compatible Smart TVs against unauthorized incursions and hacking. For example, certain sensitive communications between the TV and the Internet servers are encrypted. In addition, the TV's operating system has adopted controls to prevent the installation of unauthorized applications.

Although we take steps to protect your Smart TV and personal information, no Internet-connected device or transmission is completely secure. We therefore encourage you to take additional steps to safeguard your TV, secure your Internet connection, and minimize the risk of unauthorized access. These steps are listed below:

- When Samsung releases software updates to improve the security of your TV, you should promptly install these updates. To automatically receive these updates, turn on **Auto Update** in the TV's menu (⊕) > **Menu** > **Settings** > **Support** > **Software Update** > **Auto Update**). When an update is available, a popup message appears on the TV screen. Accept the software download and update by selecting **Yes** when prompted. Take steps to secure your wireless access point and network. Your access point's manual should provide additional details about how to implement the following measures:
 - Secure your wireless access point's management settings with a unique password to prevent unauthorized changes to security related settings.
 - Implement standard encryption (e.g., WPA2 encryption) on your wireless access point to secure your wireless network signal.
 - Secure access to your wireless network with a hard-to-guess password.
 - Confirm your access point's firewall setting is enabled (if so equipped).
 - Make sure that all your Internet-connected devices are behind your network's firewall.
 - If your access point or modem has a standby mode button, use it to disconnect your home network from the Internet when it is not in use.

- Use strong passwords for all your Internet accounts (Netflix, Facebook, etc.).
- If any unexpected messages appear on your TV screen requesting permission to link a device or enable a remote session, do NOT accept.
- Do not visit suspicious websites and do not install any suspicious programs. We recommend that users install only those authorized apps provided by Samsung through Samsung Smart Hub.

01 Package Content

Make sure the following items are included with your TV. If any items are missing, contact your dealer.

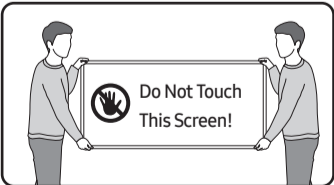
- User Manual
- Warranty Card / Regulatory Guide (Not available in some locations)
- *Samsung Smart Remote
- *Remote Control
- *Batteries
- *TV Power Cord
- *Wall Mount Adapter x 2
- **One Connect Box
- **One Connect Box Power Cord
- **One Connect Cable x 2
- **One Connect cable holder (for wall mount)
- Web Camera / Lens Cover / Pogo Gender (QN95C Series only)

*, Some of the items specified above may not be included in the package, depending on the TV model.
, QN9C, QN8**C, QN7**C, S95C Series

- The type of battery may vary depending on the model.
- The items' colors and shapes may vary depending on the models.
- Cables not included can be purchased separately.
- Check for any accessories hidden behind or in the packing materials when opening the box.

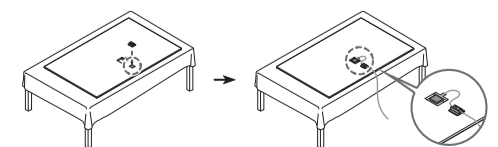


The screen can be damaged from direct pressure when handled incorrectly. As shown in the figure, make sure to grip the edges of the screen when you lift the TV. For more information about handling, refer to the Unpacking and Installation Guide came with this product.



Using the One Connect cable holder

You can use the One Connect cable holder to tidy up the cables while installing the wall mount.



Before Reading This User Manual

This TV comes with this User Manual and an embedded e-Manual (⊕) > **Menu** > **Settings** > **Support** > **Open e-Manual**.

On the website (www.samsung.com), you can download the manuals and see its contents on your PC or mobile device.

Warning! Important Safety Instructions

Please read the Safety Instructions before using your TV. Refer to the table below for an explanation of symbols which may be on your Samsung product.

CAUTION	
RISK OF ELECTRIC SHOCK. DO NOT OPEN.	
CAUTION: TO REDUCE THE RISK OF ELECTRIC SHOCK, DO NOT REMOVE COVER (OR BACK). THERE ARE NO USER SERVICEABLE PARTS INSIDE. REFER ALL SERVICING TO QUALIFIED PERSONNEL.	
	This symbol indicates that high voltage is present inside. It is dangerous to make any kind of contact with any internal part of this product.
	This symbol indicates that this product has included important literature concerning operation and maintenance.
	Class II product: This symbol indicates that a safety connection to electrical earth (ground) is not required. If this symbol is not present on a product with a power cord, the product MUST have a reliable connection to protective earth (ground).
	AC voltage: Rated voltage marked with this symbol is AC voltage.
	DC voltage: Rated voltage marked with this symbol is DC voltage.
	Caution. Consult instructions for use: This symbol instructs the user to consult the user manual for further safety related information.

Power

- Do not overload wall outlets, extension cords, or adapters beyond their voltage and capacity. It may cause fire or electric shock.

Refer to the power specifications section of the manual or the power supply label on the product for voltage and amperage information.

- Power-supply cords should be placed so that they are not likely to be walked on or pinched by items placed upon or against them. Pay particular attention to cords at the plug end, at wall outlets, and at the point where they exit from the appliance.
- Never insert anything metallic into the open parts of this apparatus. This may cause electric shock.

- To avoid electric shock, never touch the inside of this apparatus. Only a qualified technician should open this apparatus.
- Be sure to plug in the power cord until it is firmly seated. When unplugging the power cord from a wall outlet, always pull on the power cord's plug. Never unplug it by pulling on the power cord. Do not touch the power cord with wet hands.

- If this apparatus does not operate normally - in particular, if there are any unusual sounds or smells coming from it - unplug it immediately and contact an authorized dealer or Samsung service center.

- To protect this apparatus from a lightning storm, or to leave it unattended and unused for a long time, be sure to unplug it from the wall outlet and disconnect the antenna or cable system.

- Accumulated dust can cause an electric shock, an electric leakage, or a fire by causing the power cord to generate sparks and heat or by causing the insulation to deteriorate.

- Use only a properly grounded plug and wall outlet.

- An improper ground may cause electric shock or equipment damage. (Class I Equipment only.)

- To turn off this apparatus completely, disconnect it from the wall outlet. To ensure you can unplug this apparatus quickly if necessary, make sure that the wall outlet and power plug are readily accessible.

- Do not mount the TV at more than a 15 degree tilt.

- Standard dimensions for wall mount kits are shown in the table on the Unpacking and Installation Guide.

Installation

- Do not place this apparatus near or over a radiator or heat register, or where it is exposed to direct sunlight.
- Do not place vessels (vases etc.) containing water on this apparatus, as this can result in a fire or electric shock.
- Do not expose this apparatus to rain or moisture.
- Be sure to contact an authorized Samsung service center for information if you intend to install your TV in a location with heavy dust, high or low temperatures, high humidity, chemical substances, or where it will operate 24 hours a day such as in an airport, a train station, etc. Failure to do so may lead to serious damage to your TV.
- Do not expose this apparatus to dripping or splashing.

Mounting the TV on a wall



If you mount this TV on a wall, follow the instructions exactly as set out by the manufacturer. If it is not correctly mounted, the TV may slide or fall and cause serious injury to a child or adult and serious damage to the TV.

- To order the Samsung wall mount kit, contact Samsung service center.

- Samsung Electronics is not responsible for any damage to the product or injury to yourself or others if you choose to install the wall mount on your own.

- Samsung is not liable for product damage or personal injury when a non-VESA or non-specified wall mount is used or when the consumer fails to follow the product installation instructions.

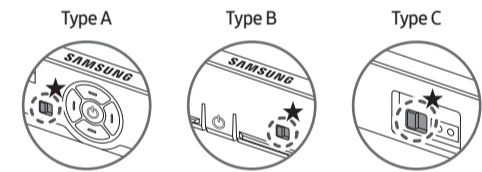
- You can install your wall mount on a solid wall perpendicular to the floor. Before attaching the wall mount to surfaces other than plaster board, contact your nearest dealer for additional information. If you install the TV on a ceiling or slanted wall, it may fall and result in severe personal injury.

- When installing a wall mount kit, we recommend you fasten all four VESA screws.

- If you want to install a wall mount kit that attaches to the wall using two top screws only, be sure to use a Samsung wall mount kit that supports this type of installation. (You may not be able to purchase this type of wall mount kit, depending on the geographical region.)

- Do not mount the TV at more than a 15 degree tilt.
- Standard dimensions for wall mount kits are shown in the table on the Unpacking and Installation Guide.

How to turn on and off the Microphone



★ : On ↔ Off

You can turn on or off the microphone by using the switch at the bottom of the TV. If microphone is turned off, All voice and sound features using microphone are not available.

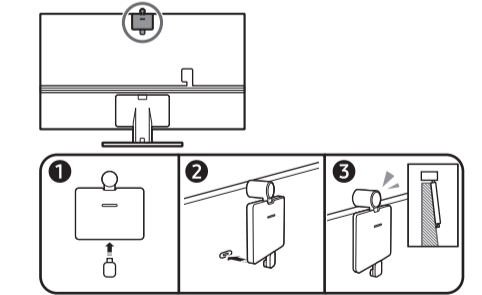
- This function is supported only in QN7**C/QN8**C/QN9**C/Q7**C/Q8**C/QN8**C/QN9**C/S8**C/S9**C Series.

- The position and shape of the microphone switch may differ depending on the model.

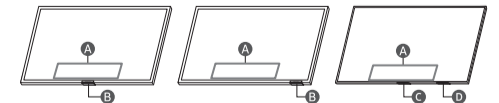
- During analysis using data from the microphone, the data is not saved.

Connecting the camera to the product (QN95C Series only)

When you connect a camera, you can use video calls, home workouts, and other new features with the camera.



Resolution	1920 x 1080, 30 fps (FHD)
Automatic lighting correction	YES
Viewing angle	85°



- A** Control menu
- B** TV Controller button / Remote control sensor / Microphone switch
- C** TV Controller button / Remote control sensor
- D** Microphone switch



Do not install your wall mount kit while your TV is turned on. This may result in personal injury from electric shock.

- Do not use screws that are longer than the standard dimension or do not comply with the VESA standard screw specifications. Screws that are too long may cause damage to the inside of the TV set.
- For wall mounts that do not comply with the VESA standard screw specifications, the length of the screws may differ depending on the wall mount specifications.
- Do not fasten the screws too firmly. This may damage the product or cause the product to fall, leading to personal injury. Samsung is not liable for these kinds of accidents.
- Always have two people mount the TV onto a wall.
 - For 82 inch or larger models, have four people mount the TV onto a wall.

Providing proper ventilation for your TV

When you install your TV *and One Connect Box, maintain a distance of at least 4 inches (10 cm) between the TV *and One Connect Box with other objects (walls, cabinet sides, etc.) to ensure proper ventilation. Failing to maintain proper ventilation may result in a fire or a problem with the product caused by an increase in its internal temperature.

*: One Connect Box Supported Model Only

- When you install your TV with a stand or a wall mount, we strongly recommend you use parts provided by Samsung Electronics only. Using parts provided by another manufacturer may cause difficulties with the product or result in injury caused by the product falling.

Safety Precaution



Caution: Pulling, pushing, or climbing on the TV may cause the TV to fall. In particular, ensure your children do not hang on or destabilize the TV. This action may cause the TV to tip over, causing serious injuries or death. Follow all safety precautions provided in the Safety Flyer included with your TV. For added stability and safety, you can purchase and install the anti-tip device, referring to "Preventing the TV from falling."



WARNING: Never place a television set in an unstable location. The television set may fall, causing serious personal injury or death. Many injuries, particularly to children, can be avoided by taking simple precautions such as:

The remote control does not work.

- Check if the remote control sensor at the bottom of the TV blinks when you press the **⊕** button on the remote control.
 - CU7 Series (except for CU77** model): If it does not blink, replace the remote control's batteries. Make sure that the batteries are installed with their poles (+/-) in the correct direction. Alkaline batteries are recommended for longer battery life.
 - Other models: When the remote's battery is discharged, charge the battery using the USB charging port (C-type), or turn over the remote to expose the solar cell to light.
- Try pointing the remote directly at the TV from 5 ft. to 6 ft. (1.5-1.8 m / 150-180 cm) away.
- If your TV came with a Samsung Smart Remote (Bluetooth Remote), make sure to pair the remote to the TV. To pair a Samsung Smart Remote, press the **⊕** and **⊗** buttons together for 3 seconds.

Eco Sensor and screen brightness

Eco Sensor adjusts the brightness of the TV automatically. This feature measures the light in your room and optimizes the brightness of the TV automatically to reduce power consumption. If you want to turn this off, go to **⊕** > **Menu** > **Settings** > **All Settings** > **General & Privacy** > **Power and Energy Saving** > **Brightness Optimization**.

- The eco sensor is located at the bottom of the TV. Do not block the sensor with any object. This can decrease picture brightness.

05 Specifications and Other Information

Specifications

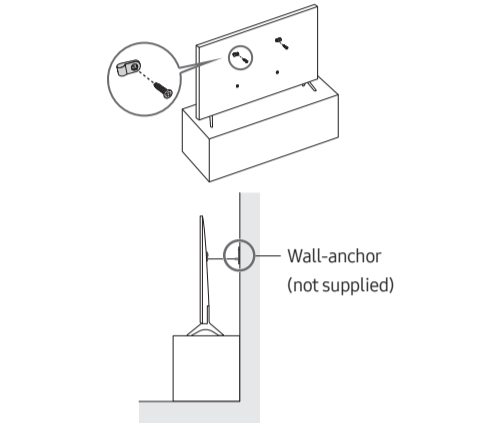
Display Resolution	QN7**C/QN8**C/QN9**C Series: 7680 x 4320 Other models: 3840 x 2160
Sound (Output)	CU7/CUB/Q6**C/Q7**C Series: 20 W Q8**C/S89C/S90C Series: 40 W QN8**C/QN90C Series: 60 W (S0QN90C model: 40 W, 43QN90C model: 20 W) QN95C/S95C/QN800C Series: 70 W QN700C Series: 60 W, QN900C Series: 90 W

- Always use cabinets or stands or mounting methods recommended by Samsung.
- Always use furniture that can safely support the television set.
- Always ensure the television set is not overhanging the edge of the supporting furniture.
- Always educate children about the dangers of climbing on furniture to reach the television set or its controls.
- Always route cords and cables connected to your television so they cannot be tripped over, pulled or grabbed.
- Never place a television set in an unstable location.
- Never place the television set on tall furniture (for example, cupboards or bookcases) without anchoring both the furniture and the television set to a suitable support.
- Never place the television set on cloth or other materials that may be located between the television set and supporting furniture.
- Never place items that might tempt children to climb, such as toys and remote controls, on the top of the television or furniture on which the television is placed.

If the existing television set is going to be retained and relocated, the same considerations as above should be applied.

- When you have to relocate or lift the TV for replacement or cleaning, be sure not to pull out the stand.

Preventing the TV from falling



- Using the appropriate screws, firmly fasten a set of brackets to the wall. Confirm that the screws are firmly attached to the wall.
 - You may need additional material such as wall anchors depending on the type of wall.
- Using the appropriately sized screws, firmly fasten a set of brackets to the TV.
 - For the screw specifications, refer to the standard screw part in the table on the Unpacking and Installation Guide.

- Connect the brackets fixed to the TV and the brackets fixed to the wall with a durable, heavy-duty string, and then tie the string tightly.
 - Install the TV near the wall so that it does not fall backwards.
 - Connect the string so that the brackets fixed to the wall are at the same height as or lower than the brackets fixed to the TV.

Operation

- This apparatus uses batteries. In your community, there might be environmental regulations that require you to dispose of these batteries properly. Please contact your local authorities for disposal or recycling information.
- Store the accessories (remote control, batteries, or etc.) in a location safely out of the reach of children.
- Do not drop or strike the product. If the product is damaged, disconnect the power cord and contact a Samsung service center.
- Do not dispose of remote control or batteries in a fire.
- Do not short-circuit, disassemble, or overheat the batteries.
- CAUTION:** There is danger of an explosion if you replace the batteries used in the remote with the wrong type of battery. Replace only with the same or equivalent type.
- WARNING - TO PREVENT THE SPREAD OF FIRE, KEEP CANDLES AND OTHER ITEMS WITH OPEN FLAMES AWAY FROM THIS PRODUCT AT ALL TIMES.**

Caring for the TV

- To clean this apparatus, unplug the power cord from the wall outlet and wipe the product with a soft, dry cloth. Do not use any chemicals such as wax, benzene, alcohol, thinners, insecticide, air fresheners, lubricants, or detergents. These chemicals can damage the appearance of the TV or erase the printing on the product.
- The exterior and screen of the TV can get scratched during cleaning. Be sure to wipe the exterior and screen carefully using a soft cloth to prevent scratches.
- Do not spray water or any liquid directly onto the TV. Any liquid that goes into the product may cause a failure, fire, or electric shock.

Notes

- This device is a Class B digital apparatus.
- For information about the power supply, and more information about power consumption, refer to the information on the label attached to the product.
 - On most models, the label is attached to the back of the TV. (On some models, the label is inside the cover terminal.)
 - On One Connect Box models, the label is attached to the bottom of the One Connect Box.
- To connect a LAN cable, use a CAT 7 (*STP type) cable for the connection. (100/10 Mbps)
 - Shielded Twisted Pair
- The images and specifications of the Unpacking and Installation Guide may differ from the actual product.

Decreasing power consumption

When you shut the TV off, it enters Standby mode. In Standby mode, it continues to draw a small amount of power. To decrease power consumption, unplug the power cord when you don't intend to use the TV for a long time.

Licenses



POWERED BY



The terms HDMI, HDMI High-Definition Multimedia Interface, HDMI trade dress and the HDMI Logos are trademarks or registered trademarks of HDMI Licensing Administrator, Inc.

SAMSUNG

MANUAL DEL USUARIO

Gracias por comprar este producto Samsung. Para recibir un servicio más completo, registre su producto en www.samsung.com

Modelo N.º de serie
(solo México) Si desea hacernos alguna pregunta, comuníquese con nosotros al 800-SAMSUNG para obtener asistencia.

Las figuras e ilustraciones de este Manual del usuario se ofrecen como referencia solamente y pueden ser distintas del aspecto real del producto. El diseño y las especificaciones del producto están sujetos a cambios sin previo aviso.

Comuníquese con SAMSUNG WORLD WIDE
 Si desea hacernos alguna pregunta o comentario en relación con los productos de Samsung, comuníquese con el centro de servicio de Samsung.

País	Centro de servicio de Samsung	Sitio web
MEXICO	800-SAMSUNG	www.samsung.com/mx/support
ARGENTINA	0800-555-SAMS(7267)	www.samsung.com/ar
URUGUAY	0800-SAMS(7267)	www.samsung.com/uy
PARAGUAY	0800-11-SAMS(7267)	www.samsung.com/py
CHILE	800 726 786	
BOLIVIA	800 107 260	www.samsung.com/cl/support
COLOMBIA	Bogotá en el 600 12 72 Sin costo en todo el país 01 8000 112 112 Y desde tu celular #726	www.samsung.com/co/support
COSTA RICA	00-800-1-SAMSUNG (726-7864)	
DOMINICAN REPUBLIC	1-800-751-2676	
ECUADOR	1-800-SAMSUN (72-6786)	www.samsung.com/latin/support (Spanish)
EL SALVADOR	8000-SAMSUNG (726-7864)	www.samsung.com/latin_en/support (English)
GUATEMALA	1-800-299-0033	
HONDURAS	800-2791-9111	
JAMAICA	1-800-SAMSUNG (726-7864)	www.samsung.com/latin_en/support (English)
NICARAGUA	001-800-507267	www.samsung.com/latin/support (Spanish)
PANAMA	800-0101	www.samsung.com/latin_en/support (English)
PERU	08007708 Desde teléfonos fijos, públicos o celulares	www.samsung.com/pe/support
PUERTO RICO	1-800-682-3180	
TRINIDAD & TOBAGO	1-800-SAMSUNG(726-7864)	www.samsung.com/latin/support (Spanish)
VENEZUELA	0-800-100-5303	www.samsung.com/latin_en/support (English)

(solo México)
 IMPORTADO POR : SAMSUNG ELECTRONICS MEXICO S.A. DE C.V.
 General Mariano Escobedo 476, Piso 8 Col. Anzures,
 Alcaldía Miguel Hidalgo, Ciudad de México CP. 11590
 TEL.: (55) 5747-5100 / 800 726 7864

© 2023 Samsung Electronics Co., Ltd. Todos los derechos reservados.

Seguridad de Internet

(Solo México)

Samsung toma una serie de medidas para proteger sus Smart TV compatibles con Internet contra incursiones no autorizadas y piratería informática. Por ejemplo, algunas comunicaciones sensibles entre el televisor y los servidores de Internet están cifradas. Además, el sistema operativo del televisor incorpora controles para impedir la instalación de aplicaciones no autorizadas. A pesar de estas medidas de protección del Smart TV y la información personal, ni los dispositivos conectados a Internet ni las transmisiones son completamente seguros. Por lo tanto, le instamos a tomar medidas de seguridad adicionales para proteger su televisor, asegurar la conexión a Internet y minimizar el riesgo de accesos no autorizados. Estas medidas se indican a continuación:

- Cuando Samsung lance actualizaciones de software para mejorar la seguridad del televisor, deberá instalarlas sin demora. Para recibir automáticamente estas actualizaciones, active **Actualización automática** en el menú del televisor (⊕) > **Menú** > **Configuración** > **Soporte técnico** > **Actualización de software** > **Actualización automática**.

Cuando una actualización está disponible, aparece un mensaje emergente en la pantalla del televisor. Acepte la descarga del software y la actualización seleccionando **Si** cuando se le solicite. Tome las medidas necesarias para asegurar su punto de acceso y red inalámbrica. El manual del punto de acceso le proporcionará información adicional sobre cómo implementar las siguientes medidas:

- Asegure la configuración de administración del punto de acceso inalámbrico con una contraseña exclusiva para evitar cambios no autorizados en la configuración de la seguridad.
- Implemente un cifrado estándar (por ejemplo, cifrado WPA2) en su punto de acceso inalámbrico para asegurar la señal de la red inalámbrica.
- Asegure el acceso a su red inalámbrica con una contraseña difícil de adivinar.
- Confirme que la configuración del firewall del punto de acceso (si tiene uno instalado) está habilitada.
- Asegúrese de que todos sus dispositivos conectados a Internet estén protegidos por el firewall de la red.
- Si su punto de acceso o módem tiene un botón de modo de espera, utilícelo para desconectar su red doméstica de Internet cuando no lo utilice.

- Utilice contraseñas seguras para todas sus cuentas de Internet (Netflix, Facebook, etc.).
- Si en la pantalla del televisor aparecen mensajes inesperados que le piden permiso para vincular un dispositivo o habilitar una sesión remota, NO lo acepte.
- No visite web, lo sospechosos ni instale programas que no considere seguros. Recomendamos a los usuarios que instalen únicamente las aplicaciones autorizadas que proporciona Samsung a través de Samsung Smart Hub.

01 Contenido del paquete

Asegúrese de que los siguientes elementos estén incluidos con su televisor. Si falta algún elemento, comuníquese con su distribuidor.

- Manual del usuario
- Guía de seguridad / Guía de información legal(No disponible en algunos lugares)
- *Control remoto Samsung Smart
- *Control remoto
- *Pilas
- *Cable de alimentación del televisor
- *Adaptador del montaje de pared x 2
- **Caja de One Connect
- **Cable de alimentación de la caja de One Connect
- **Cable de One Connect x 2
- **Soporte de cables de One Connect (para el soporte de pared)
- Cámara web / Cubierta de la lente / Adaptador pogo (solo para la serie QN95C)

*: Algunos de los elementos especificados anteriormente pueden no estar incluidos en el paquete, dependiendo del modelo de televisor.
 : Serie QN9C, QN8**C, QN7**C, S95C.

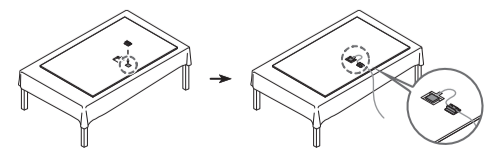
- El tipo de pila puede variar según el modelo.
- Los colores y las formas pueden variar según el modelo.
- Los cables no incluidos pueden adquirirse por separado.
- Verifique que no haya accesorios ocultos en los materiales de empaque cuando abra la caja.

! Las pantallas se pueden dañar si se ejerce presión directa sobre ellas al manejarlas incorrectamente. Asegúrese de sujetar los bordes de la pantalla al levantar el televisor, como se muestra en la figura. Para obtener más información sobre el manejo, consulte la Guía de desembalaje e instalación provista con este producto.



Uso del soporte de cable One Connect

Puede usar el soporte de cable One Connect para organizar los cables mientras instala el montaje de pared.



Antes de leer este manual del usuario

Este televisor viene con este manual del usuario y un e-Manual incluido (⊕) > **Menú** > **Configuración** > **Soporte técnico** > **Abrir e-Manual**.

En el sitio web (www.samsung.com) puede descargar los manuales y ver su contenido en su computadora o dispositivo móvil.

¡Advertencia! Instrucciones de seguridad importantes

Lea las instrucciones de seguridad antes de utilizar el televisor. Consulte la siguiente tabla para obtener una explicación de los símbolos que su producto Samsung puede presentar.

PRECAUCIÓN	
PELIGRO DE DESCARGA ELÉCTRICA. NO ABRIR.	
	Este símbolo indica que el dispositivo contiene alto voltaje. Es peligroso establecer cualquier tipo de contacto con cualquier parte interna del producto.
	Este símbolo indica que con este producto se incluye documentación importante relativa a la operación y el mantenimiento.
	Producto de Clase II: Este símbolo indica que no es necesaria una conexión eléctrica de seguridad (toma de tierra). Si un producto con cable de alimentación no tiene este símbolo, el producto DEBE contar con una puesta a tierra (masa) de protección confiable.
	Voltaje CA: La tensión nominal marcada con este símbolo es CA.
	Voltaje CC: La tensión nominal marcada con este símbolo es CC.
	Precaución. Consulte las instrucciones antes de usar: Este símbolo indica que se debe consultar el manual del usuario para obtener información relacionada con la seguridad.

Encendido

- No sobrecargue las tomas de la pared, los cables de extensión ni los adaptadores por encima de su capacidad. De lo contrario, podría producirse un incendio o descarga eléctrica.
- Consulte la sección de especificaciones de alimentación del manual o la etiqueta de alimentación eléctrica del producto para conocer la información de voltaje y amperaje.
- Los cables de alimentación deben colocarse de forma que no puedan pisarse ni quedar atrapados por objetos encima o contra ellos. Preste especial atención a los extremos del cable en las tomas de pared y en el punto en el que salen del aparato.
- No inserte ningún objeto metálico en las piezas abiertas del aparato. Hacerlo puede generar una descarga eléctrica.
- Para evitar una descarga eléctrica, nunca toque el interior del aparato. Únicamente un técnico calificado debe abrir el aparato.

- Asegúrese de enchufar el cable de alimentación hasta que esté insertado firmemente. Cuando desconecte el cable de una toma de pared, asegúrese de tirar del enchufe del cable. Nunca desenchufe jalando el cable. No toque el cable de alimentación con las manos mojadas.
- Si el aparato no funciona normalmente, en especial si emite sonidos u olores extraños, desenchúfelo de inmediato y comuníquese con un distribuidor o centro de servicio autorizado de Samsung.

- A fin de proteger el aparato contra tormentas eléctricas, o cuando lo deje sin vigilancia o sin utilizar, asegúrese de desenchufarlo de la toma de pared y desconecte la antena o el sistema de cable.
 - El polvo acumulado puede provocar una descarga eléctrica, una fuga de electricidad o un incendio al hacer que el cable de alimentación suelte chispas o calor o al deteriorarse o aislamiento.

- Use únicamente un enchufe y una toma de pared con una conexión a tierra adecuada.
 - Una conexión a tierra no adecuada puede provocar una descarga eléctrica o daños al equipo. (Únicamente para los equipos Clase I).
- Para apagar este aparato completamente debe desconectarlo de la toma de pared. Para garantizar que pueda desconectar este aparato rápidamente en caso necesario, asegúrese de que la toma de pared y el enchufe sean fácilmente accesibles.

Instalación

- No coloque este aparato cerca o sobre un radiador o calefactor, ni en un lugar expuesto a la luz directa del sol.
- No coloque recipientes (jarrones, etc.) que contengan agua sobre este aparato ya que podría representar riesgo de incendio o descarga eléctrica.
- No exponga este aparato a la lluvia o la humedad.
- Asegúrese de contactarse con un centro de servicio autorizado para obtener información si va a instalar su televisor en un lugar con mucho polvo, temperaturas altas o bajas, altos niveles de humedad, sustancias químicas, o en lugares donde vaya a funcionar las 24 horas del día, como aeropuertos, estaciones de ferrocarril, etc. No hacerlo puede provocar daños graves al televisor.
- No exponga este aparato a goteos ni salpicadura.

Instalación del televisor en la pared

! Si instala este televisor en una pared, siga exactamente las instrucciones establecidas por el fabricante. Si no se instala correctamente, el televisor puede deslizarse o caerse y provocar lesiones graves a niños o adultos y daños importantes al televisor.

- Para solicitar un kit de montaje de pared Samsung, comuníquese con el Centro de servicio de Samsung.
- Samsung Electronics no se hace responsable de los daños causados al producto o al usuario si se ha optado por instalar el montaje de pared por su cuenta.
- Samsung no se hace responsable de daños al producto o lesiones personales cuando se usa un soporte de pared que no cumple con las especificaciones VESA o si el cliente no sigue las instrucciones de instalación del producto.
- Puede instalar el soporte de pared en una pared sólida, perpendicular al suelo. Antes de conectar el soporte de pared a superficies distintas de una placa de yeso, comuníquese con su distribuidor más cercano para obtener información adicional. Si instala el televisor en el techo o en una pared inclinada, puede caer y causar graves lesiones personales.
- Recomendamos ajustar los cuatro tornillos VESA cuando se instala un soporte de pared.
- Si desea instalar un soporte de pared que se coloque en la pared solo con dos tornillos superiores, asegúrese de usar el soporte de pared Samsung que admita este tipo de instalación. (Es posible que no pueda comprar este tipo de soporte de pared según su región geográfica).
- No instale el televisor con una inclinación de más de 15 grados.
- Las dimensiones estándar de los soportes de pared se muestran en la tabla en la Guía de desembalaje e instalación.

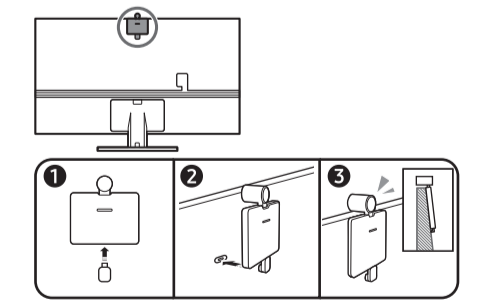
Como encender y apagar el micrófono



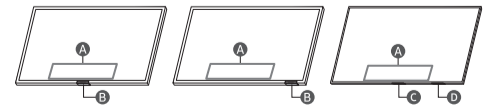
- ★ : Encendido ↔ Apagado
- Puede encender y apagar el micrófono usando el interruptor que se encuentra en la parte inferior del televisor. Si el micrófono está apagado, todas las funciones de voz y sonido que utilizan el micrófono no están disponibles.
- Esta función solo es compatible con las series QN7**C/ QN8**C/ QN9**C/ Q7**C/ Q8**C/ QN8**C/ QN9**C/ S8**C/ S9**C.
- La ubicación y la forma del interruptor del micrófono puede variar según el modelo.
- Durante el análisis que usa datos del micrófono, los datos no se guardan.

Conexión de la cámara al producto (solo para la serie QN95C)

Cuando conecte una cámara, puede usar las funciones de llamadas de video, entrenamiento en casa y otras nuevas funciones con la cámara.



Resolución	1920 x 1080, 30 fps (FHD)
Corrección automática de la iluminación	Sí
Ángulo de visualización	85 °



- A** Menú de control
- B** Botón Controlador TV / Sensor del control remoto / Interruptor del micrófono
- C** Botón Controlador TV / Sensor del control remoto
- D** Interruptor del micrófono

! No instale el soporte de pared con el televisor encendido. Se podría producir una descarga eléctrica con riesgo de causar lesiones personales.

- No use tornillos con una longitud superior a la medida estándar o que no cumplan con las especificaciones de tornillos estándar VESA. Los tornillos que son demasiado largos pueden causar daños en el interior del televisor.
- Para soportes de pared que no cumplen las especificaciones de tornillos estándar VESA, la longitud de estos puede variar dependiendo de las especificaciones del soporte de pared.
- No apriete excesivamente los tornillos. Podría dañar el producto o provocar su caída con riesgo de causar lesiones personales. Samsung no se hace responsable de este tipo de accidentes.
- Siempre son necesarias dos personas para montar el televisor en la pared.
 - Para personas de 82 pulgadas o más, son necesarias cuatro personas para instalar el televisor en la pared.

Ventilación adecuada del televisor

Al instalar el televisor *y la caja de One Connect, deje una distancia de al menos 4 pulgadas (10 cm) entre el TV *y la caja de One Connect con otros objetos (paredes, laterales del gabinete, etc.) para asegurar una ventilación adecuada. No mantener una ventilación adecuada puede tener como consecuencia un incendio o un problema con el producto causados por un aumento en su temperatura interna.

*: Modelo compatible con la caja de One Connect solamente

- Cuando utiliza un soporte o un soporte de pared para instalar su televisor, le recomendamos que use únicamente las piezas proporcionadas por Samsung Electronics. Si utiliza piezas proporcionadas por otro fabricante, podría tener problemas con el producto o sufrir una lesión debido a la caída del producto.

Precaución de seguridad

! Precaución: Jalar el televisor, empujarlo o colgarse de él puede provocar su caída. En especial, impida que los niños se cuelquen del televisor o lo desestabilicen. El televisor podría caerse sobre ellos y causarles lesiones graves o incluso la muerte. Siga las precauciones de seguridad del folleto de seguridad incluido con el televisor. Para mejorar la estabilidad y la seguridad, puede adquirir un dispositivo antivuelco e instalarlo como se explica en "Para impedir que el televisor se caiga".

! ADVERTENCIA: Nunca coloque un televisor en una ubicación inestable. El televisor podría caer y causar lesiones personales graves o incluso la muerte. Muchas lesiones, en especial en el caso de los niños, pueden evitarse tomando sencillas precauciones como las siguientes:

- Revise si el sensor del control remoto en la parte inferior del televisor parpadea al presionar el botón (⊕) del control remoto.
 - Serie CU7 (excepto modelo CU77**): Si no parpadea, reemplace las pilas del control remoto. Asegúrese de que las pilas estén instaladas con sus polos (+/-) en la dirección correcta. Se recomienda usar pilas alcalinas para una mayor duración de las pilas.
 - Otros modelos: Cuando la batería del control remoto se descargue, cárguela utilizando el puerto de carga USB (tipo C) o dé vuelta el control remoto para exponer la celda solar a la luz.
- Intente apuntar el control remoto directamente al televisor desde una distancia de 5 a 6 pies (1,5-1,8 m / 150-180 cm).
- Si su televisor estaba provisto de un control remoto Samsung Smart (control remoto Bluetooth), asegúrese de vincular este al televisor. Para emparejar el Control remoto Samsung Smart, presione los botones (⊕) y (⊖) a la vez durante 3 segundos.

El control remoto no funciona.

- Revise si el sensor del control remoto en la parte inferior del televisor parpadea al presionar el botón (⊕) del control remoto.
 - Serie CU7 (excepto modelo CU77**): Si no parpadea, reemplace las pilas del control remoto. Asegúrese de que las pilas estén instaladas con sus polos (+/-) en la dirección correcta. Se recomienda usar pilas alcalinas para una mayor duración de las pilas.
 - Otros modelos: Cuando la batería del control remoto se descargue, cárguela utilizando el puerto de carga USB (tipo C) o dé vuelta el control remoto para exponer la celda solar a la luz.
- Intente apuntar el control remoto directamente al televisor desde una distancia de 5 a 6 pies (1,5-1,8 m / 150-180 cm).
- Si su televisor estaba provisto de un control remoto Samsung Smart (control remoto Bluetooth), asegúrese de vincular este al televisor. Para emparejar el Control remoto Samsung Smart, presione los botones (⊕) y (⊖) a la vez durante 3 segundos.

Sensor Eco y brillo de la pantalla

El Sensor Eco ajusta automáticamente el brillo del televisor. Esta función mide el nivel de luz de la habitación y optimiza automáticamente el nivel de brillo del televisor para reducir el consumo de energía. Si desea desactivar esta función, vaya a (⊕) > **Menú** > **Configuración** > **Todos los ajustes** > **General y privacidad** > **Ahorro de energía** > **Optimización del brillo**.

- El sensor eco se encuentra en la parte inferior del televisor. No bloquee el sensor con ningún objeto. Puede disminuir el brillo de la imagen.

05 Especificaciones y otra información

Especificaciones

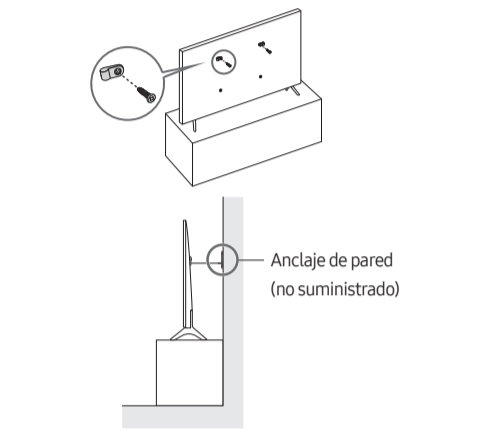
Resolución de pantalla	Serie QN7**C/ QN8**C/ QN9**C: 7680 x 4320
Otros modelos: 3840 x 2160	
Sonido (salida)	Serie CU7/ CU8/ Q6**C/ Q7**C: 20 W
Serie Q8**C/ S89C/ S90C: 40 W	
Serie QN8**C/ QN90C: 60 W	
(Modelo 50QN90C: 40 W, Modelo 43QN90C: 20 W)	
Serie QN95C/ S95C/ QN800C: 70 W	
Serie QN700C: 60 W, Serie QN900C: 90 W	

- Utilice gabinetes o soportes recomendados por Samsung.
- Utilice muebles capaces de soportar el peso del televisor.
- Asegúrese de que el televisor no sobresalga en exceso del borde del mueble.
- Eduque a los niños acerca de los peligros de subirse al mueble para llegar al televisor o a los controles.
- Conecte los cables a su televisor de modo que no se tropiece con ellos, no los jale ni los enganche.
- Nunca coloque un televisor en una ubicación inestable.
- No coloque el televisor sobre muebles altos (por ejemplo, estantes o librerías) sin haber anclado el mueble y el televisor en un soporte adecuado.
- No coloque el televisor sobre una tela u otro material similar entre el televisor y el mueble.
- No coloque elementos que puedan invitar a los niños a treparse, tales como juguetes o controles remotos, a la parte superior del televisor o al mueble sobre el que se coloca el televisor.

Si va a reubicar el televisor actual, deberá aplicar las mismas consideraciones anteriores.

- Cuando deba reubicar el televisor o levantarlo para reemplazo o limpieza, asegúrese de no retirar el soporte.

Para impedir que el televisor se caiga



1. Use los tornillos adecuados, ajuste firmemente los soportes a la pared. Confirme que los tornillos estén bien fijados a la pared.
 - Es posible que necesite materiales adicionales, como anclajes, según el tipo de pared.
2. Use los tornillos del tamaño adecuado, ajuste firmemente los soportes al televisor.
 - Para las especificaciones de los tornillos, vea el tornillo estándar en la tabla en la Guía de desembalaje e instalación.

3. Conecte los soportes fijados al televisor y los soportes fijados a la pared con una cadena duradera y resistente y ténsela firmemente.
 - Instale el televisor cerca de la pared para evitar que se caiga hacia atrás.
 - Conecte la cadena de modo que los soportes fijados a la pared estén a la misma altura o más bajos que los fijados al televisor.

Función

- Este aparato utiliza pilas. En su comunidad pueden existir normativas ambientales que exijan que desee las pilas adecuadamente. Comuníquese con las autoridades locales para obtener información sobre disposición y reciclaje.
- Guarde los accesorios (control remoto, pilas, etc.) en un lugar fuera del alcance de los niños.
- No deje caer el producto ni lo golpee. Si el producto se daña, desconecte el cable de alimentación y comuníquese con un centro de servicio.
- No arroje el control remoto ni las pilas al fuego.
- No genere un cortocircuito, desensamble ni recaliente las pilas.
- **PRECAUCIÓN:** Hay peligro de explosión si reemplaza las pilas usadas en el control remoto por otras de un tipo incorrecto. Reemplácelas únicamente por el mismo tipo o un tipo equivalente.
- **ADVERTENCIA - A FIN DE EVITAR QUE SE DISEMINE EL FUEGO, MANTENGA LAS VELAS Y LAS LLAMAS ABIERTAS ALEJADAS DEL PRODUCTO EN TODO MOMENTO.**

Antes de usar el equipo lee este manual para evitar fallas y guarde para futuras referencias.

Cuidado del televisor

- Para limpiar este aparato, desconecte el cable de alimentación de la toma de pared y limpie el aparato con un paño suave y seco. No use sustancias químicas como cera, benceno, alcohol, diluyentes, insecticida, desodorantes ambientales, lubricantes o detergente. Estos productos químicos pueden dañar el aspecto del televisor o borrar las impresiones del producto.
- La parte exterior y la pantalla del televisor podrían rayarse durante la limpieza. Asegúrese de limpiar la parte exterior y la pantalla utilizando un paño suave para evitar que se rayen.
- No rocíe agua ni líquidos directamente sobre el televisor. Cualquier líquido que ingrese al producto puede ocasionar fallas, incendio o descarga eléctrica.

Notas

- **Sólo para Argentina**
- En todos los casos, donde se indique el valor referente a la diagonal de pantalla, deberá considerarse como válido el valor fijado en la etiqueta de eficiencia energética que acompaña al equipo. La misma, certifica el producto de acuerdo a las Normas IRAM 62411 y 62301 o aquellas que las reemplacen. Todos los otros valores indicados, son a modo de referencia.
- Este dispositivo es un aparato digital Clase B.
- Para obtener información sobre la fuente de alimentación y más información sobre el consumo de energía, consulte la información de la etiqueta adherida al producto.
 - En la mayoría de los modelos, la etiqueta está adherida a la parte posterior del televisor. (En algunos modelos, la etiqueta se encuentra dentro de la tapa de terminales.)
 - En los modelos de la caja de One Connect, la etiqueta está adherida a la parte inferior de la caja de One Connect.
- Para conectar un cable LAN, use un cable CAT7 (tipo *STP) para la conexión. (100/10 Mbps)
 - * Shielded Twisted Pair
- Las imágenes y especificaciones en Guía de desembalaje e instalación pueden ser distintas a las del producto real.

Reducción del consumo de energía

Cuando el televisor se apaga, entra en modo en espera. En el modo en espera, continúa consumiendo una pequeña cantidad de energía. Para disminuir el consumo de energía desenchufe el cable de alimentación cuando no vaya a usar el televisor durante un tiempo prolongado.

Licencias



POWERED BY

QUICKSET

HEVC Advance
Covered by Patents at patentlist.hevadance.com

HDMI
REGISTERED TRADEMARK ORGANIZATION

The terms HDMI, HDMI High-Definition Multimedia Interface, HDMI trade dress and the HDMI Logos are trademarks or registered trademarks of HDMI Licensing Administrator, Inc.