



DRIJA

24 MESES de GARANTÍA
MONTHS WARRANTY

WE GIVEAWAY
IN ALL OUR RANGE HOOD

OBSEQUIAMOS
EN TODOS NUESTROS EXTRACTORES DE GRASA

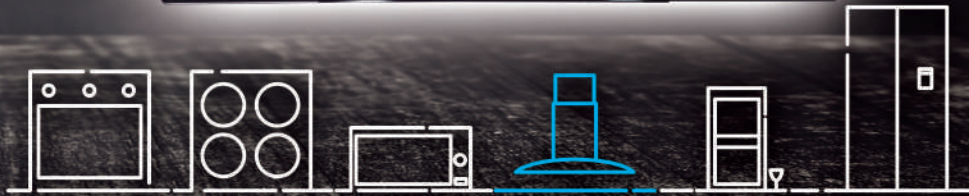
Vetro 90

PROFESSIONALE

Extractor de Grasa
Range Hood



2 Filtros de Carbón Activo
2 Active Carbon Filters



Extractores de Grasa
Range Hood

USER MANUAL

110-120 V / 60Hz

NOTA: Para adquirir accesorios y/o repuestos de este producto, contáctenos al call center (según el número de su país que le indique el certificado de garantía) o a nuestras redes sociales

NOTE: To purchase accessories and / or spare parts for this product, contact us at the call center (depending on the number of your country that indicates the warranty certificate) or our social networks

www.DrijalInternational.com

Para conservar la garantía de este producto, es indispensable instalarlo a no menos de **30"=75 cm** de la estufa

To preserve the warranty of this product, it is essential to install it at not less than **30"= 75 cm** from the stove.

User Manual
RANGE HOOD | VETRO 90 PROFESSIONALE
DRIJA

- 1. ADVICE AND SUGGESTIONS 3
- 2. SCHEMATIC DESIGN OF THE PRODUCT 5
- 3. INSTALLATION 5
- 4. CIRCUIT CONTROLS AND SCHEMES 8
- 5. CIRCUIT DIAGRAM 9
- 6. MAINTENANCE 9
- 7. TROUBLESHOOTING 10
- 8. WARNINGS 10

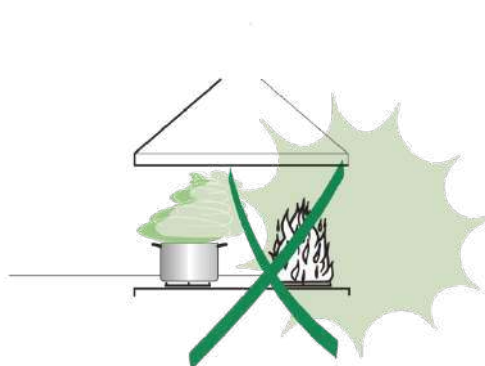
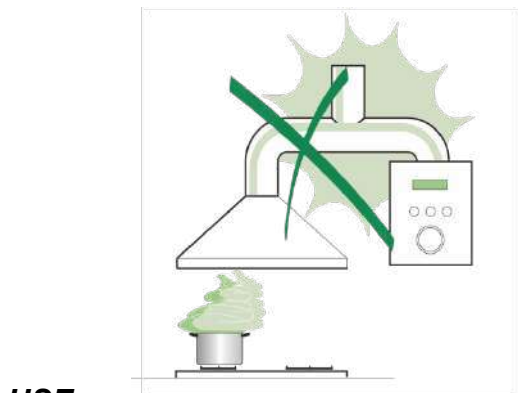
1. **ADVICE AND SUGGESTIONS**

Instructions for use apply to various models of this appliance. Therefore, you can find descriptions of individual characteristics that do not belong to your particular device.

The manufacturer is not liable for damage caused by installation or improper use.

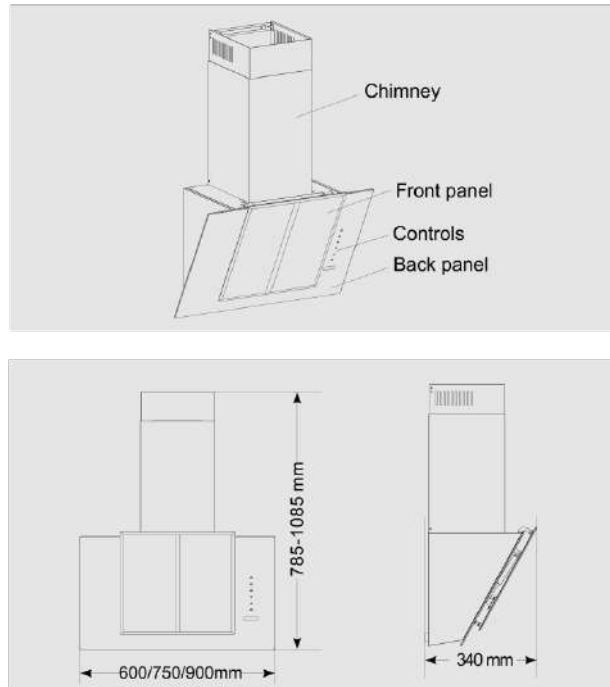
INSTALLATION

- The minimum safety distance between the cooking surface and the extractor is 30"=75cm (some models can be installed at a higher height, see paragraph concerning working dimensions and installation).
- Check that the supply voltage corresponds to that indicated on the data plate inside the extractor.
- For Class I appliances, check that the mains supply is properly grounded.
- Do not connect the extractor to smoke ducts carrying combustion smoke (eg boiler, chimneys, etc.).
- If the extractor is used in combination with non-electric appliances (eg gas appliances), a sufficient degree of ventilation must be ensured in the enclosure to prevent the return of the exhaust gas flow. The kitchen should have an opening communicating directly with the outside to ensure fresh air. When using the kitchen extractor in combination with appliances not powered by electric current, the negative pressure in the enclosure should not exceed 0.04 mbar to prevent smoke from being breathed into the enclosure by the extractor.
- In the event of damage to the power cord, it must be replaced by the manufacturer or service department to avoid any risk.



The fat extractor is designed exclusively for domestic use, to eliminate odors from the kitchen.

- Never use the extractor for purposes other than those for which it was designed.
- Never leave high flame under the extractor when it is in operation.
- Adjust the flame intensity to direct it to the bottom of the cooking vessel, making sure that it does not reach the sides.
- Fryers must be continuously checked during use: overheated oil may ignite.
- Do not flambé under the grease remover: a fire may result.
- This appliance is not intended for use by persons (including children) with reduced psychological, physical or sensory abilities or with insufficient experience and knowledge, unless supervised and instructed by a person responsible for their safety.
- Supervise children, making sure they do not play with the appliance.
- **WARNING:** accessible parts can become very hot during the use of cooking appliances.
- Turn off or disconnect from the mains before any maintenance or cleaning operation.
- Clean and / or replace the filters after the specified period of time (fire hazard).
- For glass cleaning we suggest applying alcohol (with great caution) with a clean dry towel.



2. SCHEMATIC DESIGN OF THE PRODUCT

3. INSTALLATION

- Installation position

The grease extractor should be installed by centering it on the cooking surface.

The reference distance between the extractor and the cooking surface is 30"=75cm

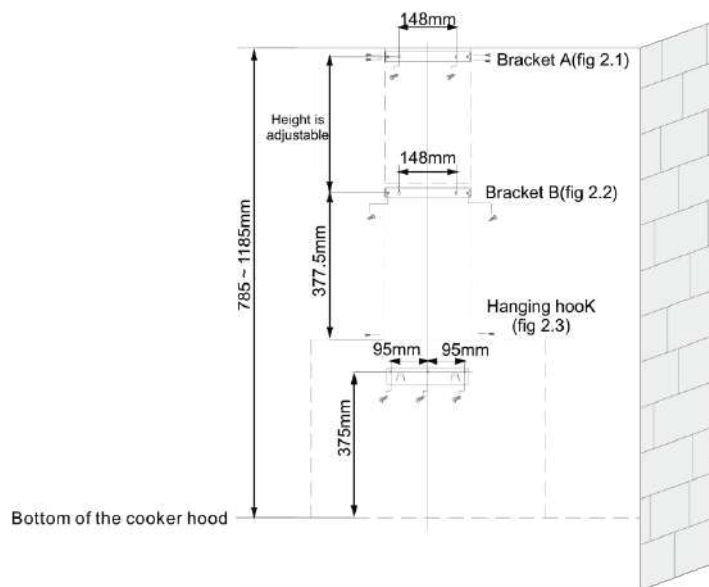
- **IMPORTANT:** have a voltage protector.
- Fastening the suspension hook and flange.

Fixing the suspension hook.

Drill into the wall 3 holes of 8mm and depth 50mm and insert into the holes three expansion plugs. Use 3 ST5x50 screws to attach the suspension hook to the wall

Fastening the flange

Drill into the wall 4 holes (2 holes per flange) of 8mm and depth 50mm and insert into the holes 4 expansion plugs. Use 4 screws ST5x50 to fix flange A and flange B. to the wall.

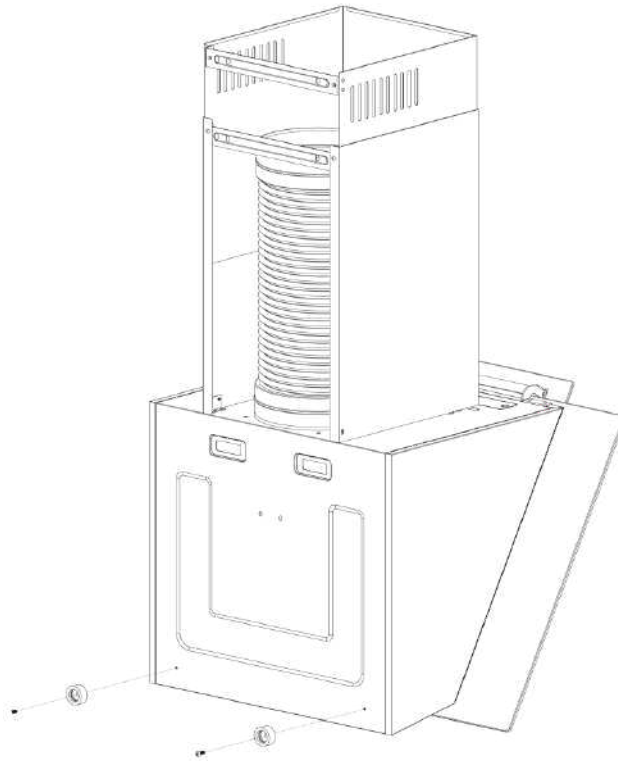


- Installation of plastic spacer and exhaust duct. Assembly of the body of the fat extractor.

Use 2 M4x10 screws to attach the plastic spacers to the grease extractor body.

Mounting the extractor body to the wall.

Use 2 ST4x8 screws to screw the exhaust duct into the exhaust outlet of the grease extractor.



- Installation of the chimney

Installation of the lower chimney

Use 2 M4x10 screws to secure the lower chimney to flange B, and then use 2 M4x10 screws to secure the lower chimney to the wall mounted extractor.

Installation of the upper chimney

Use 4 M4x10 screws to attach the top chimney to flange A.

Note: The product must be installed using at least one of the two fireplaces.

For the installation of a single chimney (lower), the flange B must be fixed to the wall, while the flange fixing A is not required. For the installation of both chimneys (lower and upper) the flange A must be fastened to the wall, while the flange B must be fixed to the extractor. However, the attachment of the flange B is optional for the user.

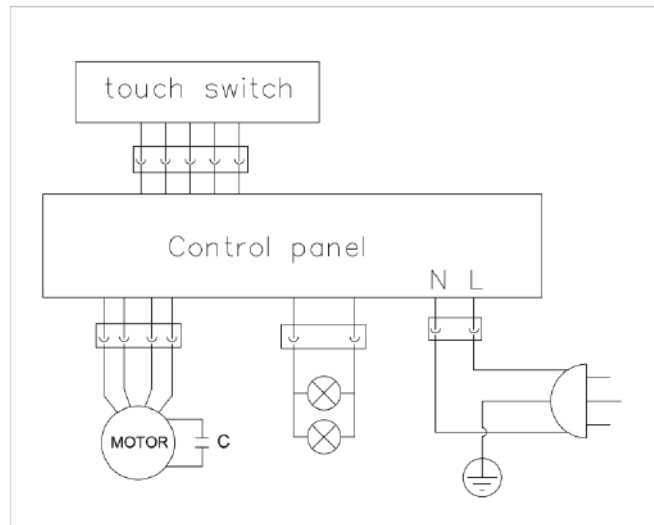
4. CIRCUIT CONTROLS AND SCHEMES

Using the electronic controls



1. When the hood is connected to the electricity supply it emits a brief sound. All the indicator lights of the touch switches switch on for one second and then switch off automatically.
2. Press the "💡" switch, the light switches on. Press it again, the light switches off.
3. Press the "⏻" switch, its red indicator light switches on. However, the other indicator lights remain off. Then press switches "🌀", "🌀" and "🌀", the motor will work at "low", "Medium" and "fast" speed respectively.
4. If you press the "⏻" switch again while the motor is working at one of the above three speeds, its indicator light will change from red to the flashing blue. The cooker hood will be in a state of "delayed shutdown". This means it will be switched off automatically after 3 minutes. The cooker hood will be switched off if you press "⏻" during the "delayed shutdown". To turn off immediately, press "⏻" 2 times.

5. CIRCUIT DIAGRAM



6. MAINTENANCE

- To ensure the best performance and durability of the fat extractor, regular maintenance is required.

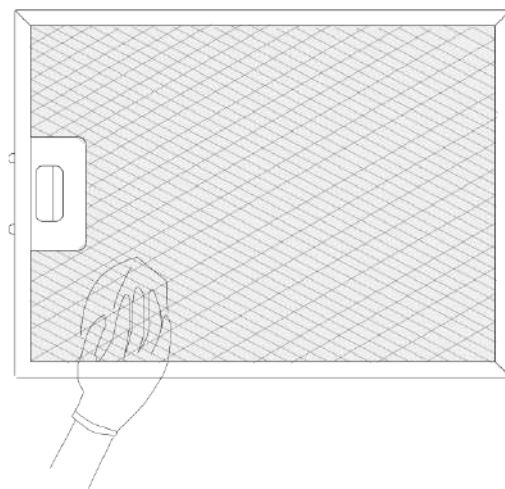
Note:

Disconnect the power cord before any maintenance operation and press the "on / off" button to ensure shutdown.

Wear protective gloves during maintenance.

Cleaning and replacement of metal grease filter.

In case of normal use of the grease remover (1 or 2 hours per day), the surface of the metal grease should be cleaned weekly.



7. TROUBLESHOOTING

Issue	Cause	Solution
The indicator light is on but not, but the engine does not work.	The rotor is clogged.	Remove the cause of the obstruction.
	The capacitor is damaged.	Replace condenser.
The internal motor is stuck and emits an unpleasant odor.	The motor bearing is clogged or damaged.	Replace engine.
The light does not work, the motor does not work.	In addition to running the controls mentioned above, Check if the indicator light is damaged.	Replace the light.
	The power cord is loose.	Connect the wires as shown in the wiring diagram.
	The rotor is damaged and causes vibrations.	Replace rotor.
The extractor body vibrates.	The motor is not set properly.	Secure the engine.
	The extractor body is not securely fastened.	Secure the extractor body securely.
Insufficient aspiration.	There is too much distance between the extractor body and the cooking surface.	Correct the distance 30"=75cm
	There is too much ventilation of open doors or windows.	Choose a new location and reinstall the device.

IF THE USER CAN NOT SOLVE THE PROBLEMS, YOU SHOULD CONTACT THE LOCAL REPRESENTATIVE OR THE TECHNICAL OFFICE OF THE DISTRIBUTOR.

8. WARNINGS

- If the power cord is damaged, it must be replaced by the manufacturer, its authorized service agent or similarly qualified personnel to avoid any risk.
- Adequate ventilation should be provided in the room where the grease extractor and other gas and other combustible devices are located (do not use with

appliances having a single air outlet in the room). There is a fire hazard if cleaning is not performed according to the instructions, do not flambé under the grease remover.

- **WARNING:** accessible parts can become very hot during the use of cooking appliances.

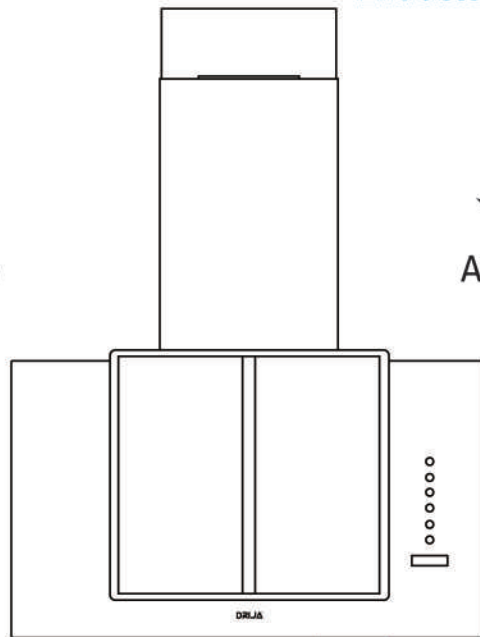
DRIJA

Vetro 90 PROFESSIONALE

Extractor de Grasa / Range Hood

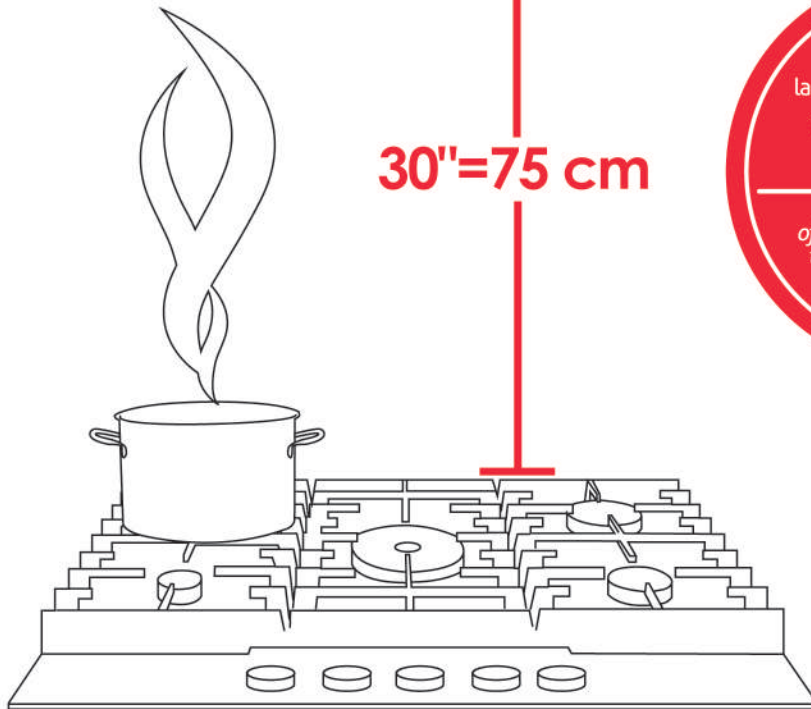

Aire purificado
Purified air


Aire purificado
Purified air



Extracción de aire recirculante
Extraction of recirculating air

30"=75 cm



! Para conservar la garantía de este producto, es recomendable instalarlo a no menos de **30"=75 cm** de la estufa

To preserve the warranty of this product, it is advisable to install it at not less than **30"=75 cm** from the stove.

24 MESES de GARANTÍA
MONTHS WARRANTY



Extractores de Grasa
Range Hood